

RAMO 22 F, USB, round collar, frontring black, USB 3.0 type A with cable 55 cm



fields of application

- > Measurement-control-regulation
- > Electrical engineering
- > Mechanical and system engineering
- > Vehicle construction
- > Chemical industry
- > Industrial robots
- > Home technology



description

Cable feed-through for front panels. Front side USB 3.0 or RJ45, rear side with corresponding sockets in the housing or 55 cm cable and socket.

technical data

> general

| | |
|---|--|
| Collar color | black |
| Front ring color | black |
| Collar shape | round |
| Operating temperature, min. | -25 °C |
| Operating temperature, max. | 70 °C |
| Storage temperature, min. | -40 °C |
| Storage temperature, max. | 90 °C |
| illuminated | No |
| Packaging | Box |
| Packaging unit | 2 pcs. |
| net weight | 52 g |
| Operating life | 1,500 cycles |
| Degree of protection, front side, according to DIN EN 60529 | IP65 with sealing cap |
| UL Enclosure Type Rating front side | type 4X indoor |
| Environment resistance | IEC 60068-2-14 IEC 60068-2-30 IEC 60068-2-78 |
| shock resistance | 05 side 07 frontal |
| MOQ order | 2 pcs. |
| RoHS compliant | Yes |
| REACH compliant | Yes |

direct links

- > [RAFI eCatalog](#)

> mounting diameters

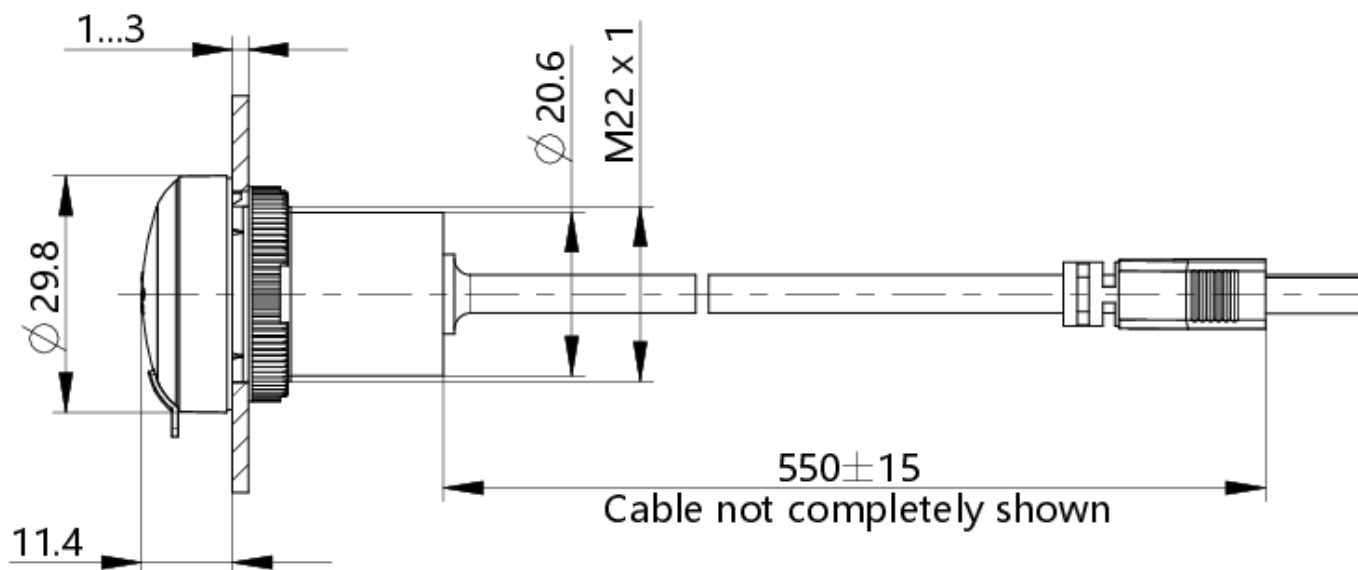
| | |
|---------------------------|----------|
| Outside dimension, length | 29.8 mm |
| Outside dimension, width | 29.8 mm |
| Outside dimension, height | 54.1 mm |
| Mounting hole | 22.3 mm |
| Mounting depth | 26.6 mm |
| Installation height | 11.47 mm |
| Grid, min. | 30 mm |
| Collar dimension | 29.8 mm |

> mechanical data

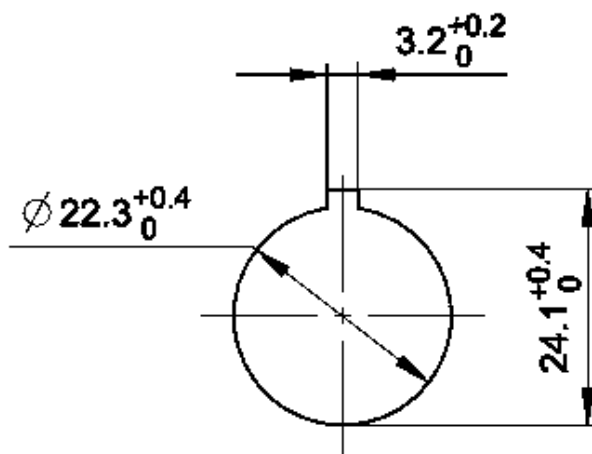
| | |
|----------------------------|---------------------------------|
| Fixing | Threaded ring |
| Threaded ring torque, max. | 1.2 Nm |
| Front side terminal | USB 3.0 type A |
| Terminal on the rear | USB 3.0 type A with cable 55 cm |

drawings

Dimensioned drawing



Mounting hole drawing



acc. to IEC 60947-5-1