

# RAMO 30 F, RJ45, round collar, frontring stainless steel, RJ 45 CAT 5



## fields of application

- > Measurement-control-regulation
- > Electrical engineering
- > Mechanical and system engineering
- > Vehicle construction
- > Chemical industry
- > Industrial robots
- > Home technology



## description

Cable feed-through for front panels. Front side USB 3.0 or RJ45, rear side with corresponding sockets in the housing or 55 cm cable and socket.

## technical data

### > general

Collar color	black
Front ring color	stainless steel
Collar shape	round
Operating temperature, min.	-25 °C
Operating temperature, max.	70 °C
Storage temperature, min.	-40 °C
Storage temperature, max.	90 °C
illuminated	No
Packaging	Box
Packaging unit	2 pcs.
net weight	31.3 g
Operating life	750 cycles
Degree of protection, front side, according to DIN EN 60529	IP65 with sealing cap
UL Enclosure Type Rating front side	type 4X indoor
Environment resistance	IEC 60068-2-14 IEC 60068-2-30 IEC 60068-2-78
shock resistance	05 side 06 frontal
MOQ order	2 pcs.
RoHS compliant	Yes
REACH compliant	Yes

### direct links

- > [RAFI eCatalog](#)

**> mounting diameters**

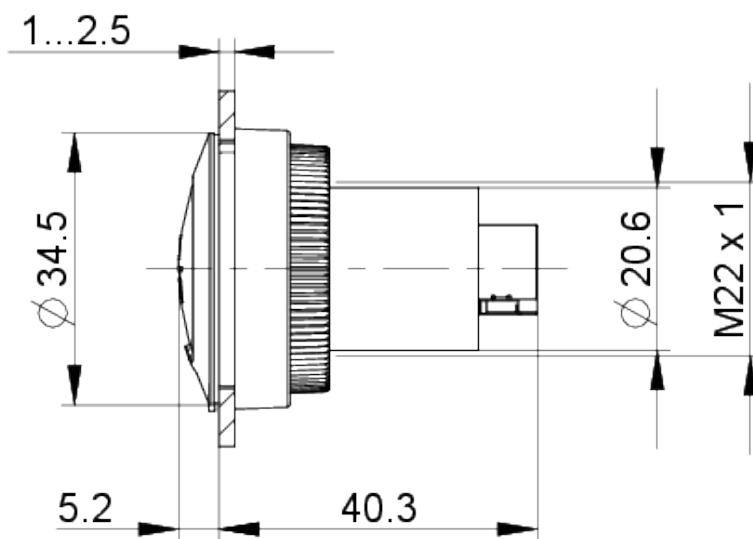
Outside dimension, length	34.5 mm
Outside dimension, width	34.5 mm
Outside dimension, height	45.43 mm
Mounting hole	30.3 mm
Mounting depth	40.26 mm
Installation height	5.17 mm
Grid, min.	35 mm
Collar dimension	34.5 mm

**> mechanical data**

Fixing	Threaded ring
Threaded ring torque, max.	1.2 Nm
Front side terminal	RJ 45 CAT 5
Terminal on the rear	RJ 45 CAT 5

**drawings**

**Dimensioned drawing**



**Mounting hole drawing**

