

MICON 5 S, THT standard, 3.6 ± 0.7 N, 1 NO



fields of application

- › Measurement-control-regulation
- › Mechanical and system engineering
- › Automotive
- › Electro-medical

special features

- › Gold contacts, reliable switching with low currents
- › Special tactile feedback
- › High packing density due to small form factor (5.1 x 6.4 mm)
- › Different operating forces
- › Ring and full illumination of the button surface due to plunger
- › Variable overall heights due to plunger
- › Terminal technology: SMT
- › Traceability through product identification in accordance with DIN EN ISO 9001



description

MICON 5 tactile switches offer extreme switching reliability, with a very small space requirement. They can be arranged individually, in rows or as key blocks. For use beneath overlays, we recommend combining the MICON 5 tactile switches with plungers. Here are the properties at a glance:

- › Suitable for the most important soldering techniques
- › Soldering bath for THT versions
- › Reflow soldering for SMT versions
- › Vapor phase soldering for SMT versions
- › Manual soldering
- › Processing of the SMT design with SMT automatic assembly machines
- › IMDS entry

MICON 5, THT standard, suitable for keycaps from the accessories range Packaging: in rails with 102 pieces each

technical data

› general

Operating temperature, min.	-40 °C
Operating temperature, max.	125 °C
Storage temperature, min.	-40 °C
Storage temperature, max.	90 °C
illuminated	No
Soldering	Manual / wave
Solder heat resistance according to standard	DIN EN 60068-2-20
Packaging	Tube

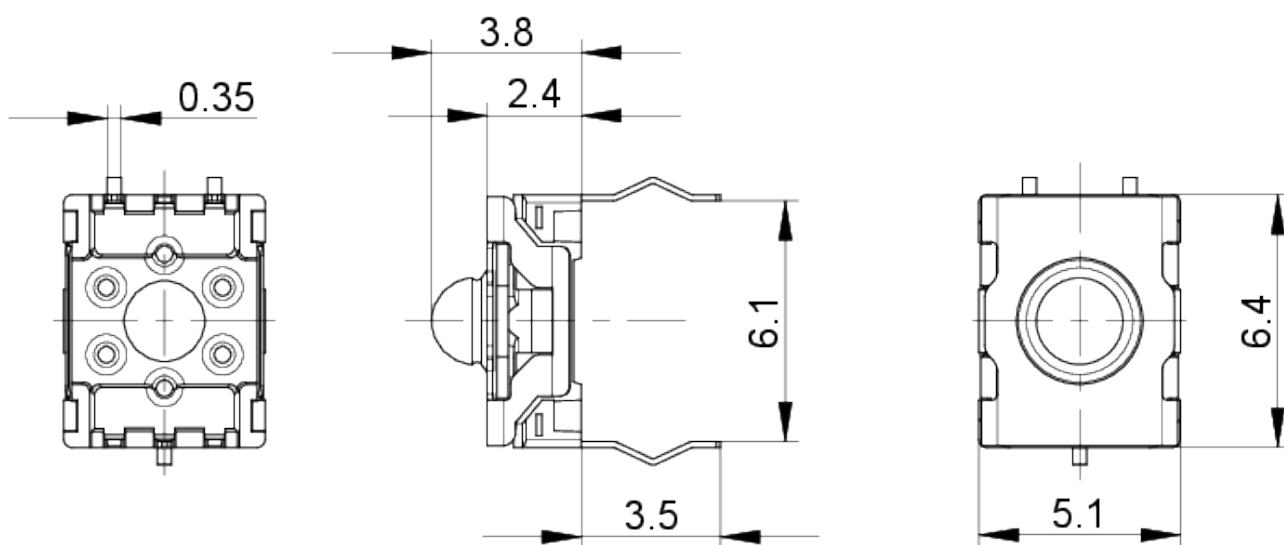
direct links

- › [RAFI eCatalog](#)

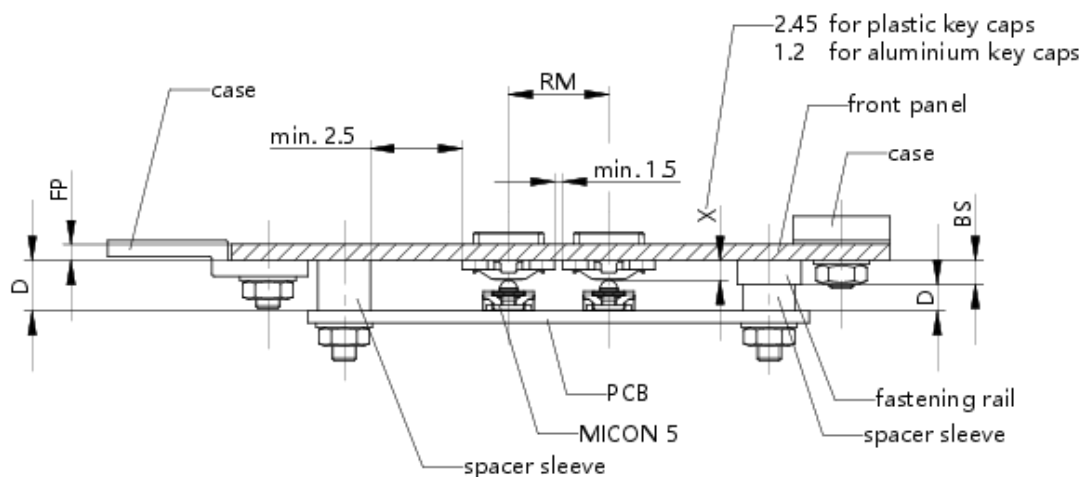
Packaging unit	102 pcs.
net weight	0.1 g
Operating life	250,000 cycles
B10	325,000 cycles
Degree of protection, front side, according to ISO 20653	IP67 (IP6K7)
Degree of protection on rear side acc. to ISO 20653	IP67 (IP6K7)
MSL Moisture Sensitivity Level	1
Shock resistance according to standard IEC 60068-2-27	100 g at 6 ms amplitude semi-sinusoidal
oscillation resistance according to standard IEC 60068-2-6	5 g at 10...500 Hz
MOQ order	510 pcs.
RoHS compliant	Yes
REACH compliant	Yes
> mounting diameters	
Outside dimension, length	6.4 ± 0.1 mm
Outside dimension, width	5.1 ± 0.1 mm
Installation height	3.85 ± 0.1 mm
Grid, min.	6 x 7.8 mm
> mechanical data	
Actuation function	momentary contact function
Operating force, max.	6 N
Operating force, min.	3.6 ± 0.7 N
Switching travel	0.8 ± 0.15 mm
Bounce time at 10 mm/s	<5 ms
Contact function	1 NO
Contact system	Snap-action contact SPST - Single Pole Single Throw
Contact material	Gold
Solderability	Yes
Terminal on the rear	THT
> electrical data	
Rated voltage, min.	0.02 V
Rated voltage, max.	35 V
Dielectric strength	250 V
Rated current, min.	0.00001 A
Rated current, max.	0.1 A
Rated power, max.	1 W

drawings

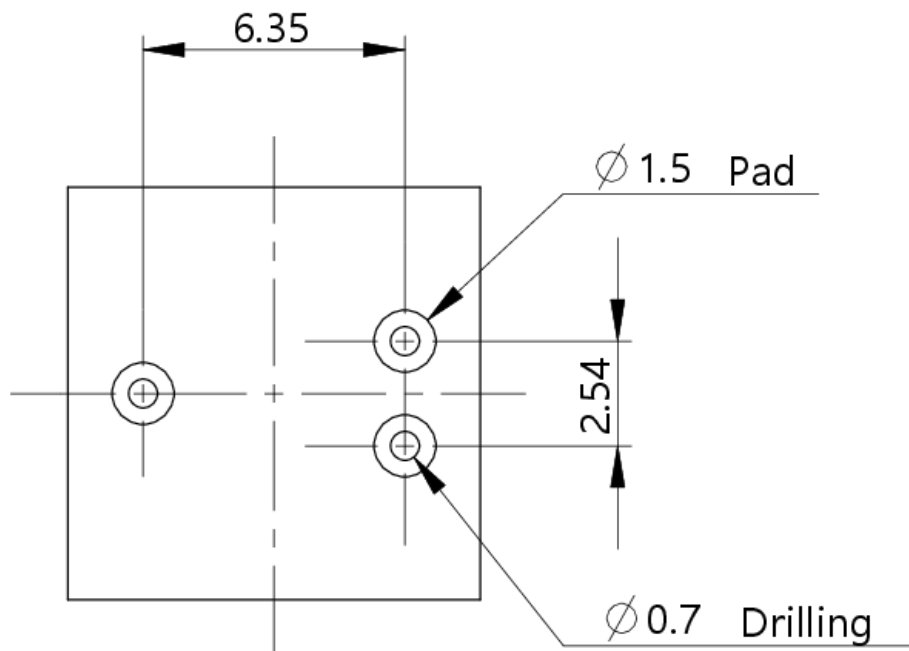
Dimensioned drawing



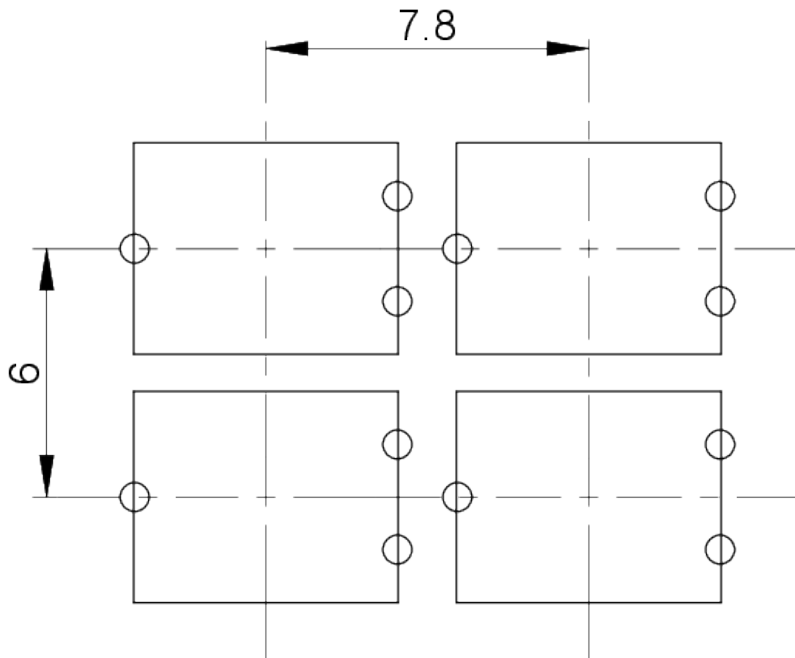
System drawing



PCB drawing

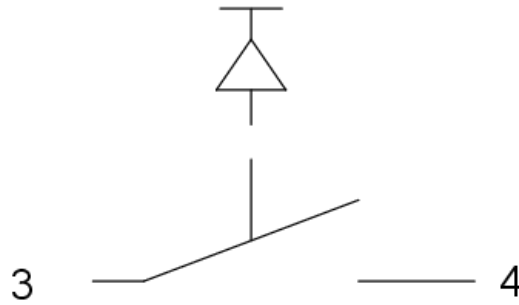
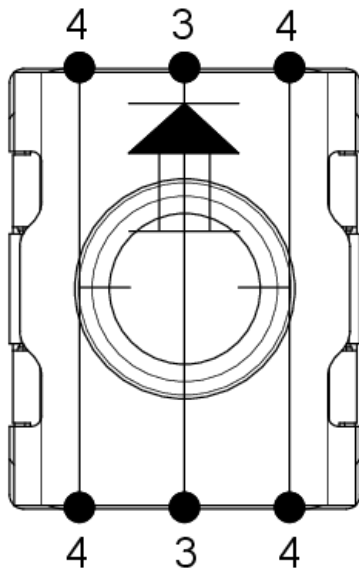


PCB drawing



MICON 5 THT

Schematic diagram



Circuit symbol according to IEC 617

Product labeling drawing

