

RACON 12 S, SMT, 4.7 ± 0.8 N, 1 NO



fields of application

- › Measurement-control-regulation
- › Mechanical and system engineering
- › Automotive
- › Electro-medical

special features

- › Gold contacts, reliable switching with low currents
- › Special tactile feedback
- › Different operating forces
- › Variable overall heights due to plunger
- › Terminal technology: SMT or THT
- › Traceability through product identification
- › sealable (tested media see Downloads)



description

Our top-quality RACON 12 tactile switches – in the dimensions 12 x 12 mm – feature an unmistakable click, high switching reliability, a sealed contact system and castability. That has made RACON the standard in many industries. Whether for automotive applications, systems with keycaps, or membrane keyboards, RACON impresses in the THT or SMT versions – for your application too.

RACON 12 tactile switches can be arranged individually, in rows or as key blocks. When used beneath membrane overlays, the RACON key switches should be combined with plungers. Suitable for the most important soldering techniques.

Soldering bath for THT versions

Reflow soldering for SMT versions

Vapor phase soldering for SMT versions

Manual soldering

Processing of the SMT designs with SMT automatic assembly machines

IMDS entry

technical data

› general

| | |
|--|-------------------|
| Color | blue |
| Operating temperature, min. | -40 °C |
| Operating temperature, max. | 90 °C |
| Storage temperature, min. | -50 °C |
| Storage temperature, max. | 90 °C |
| illuminated | No |
| Soldering | Reflow |
| Solder heat resistance according to standard | DIN EN 60068-2-58 |

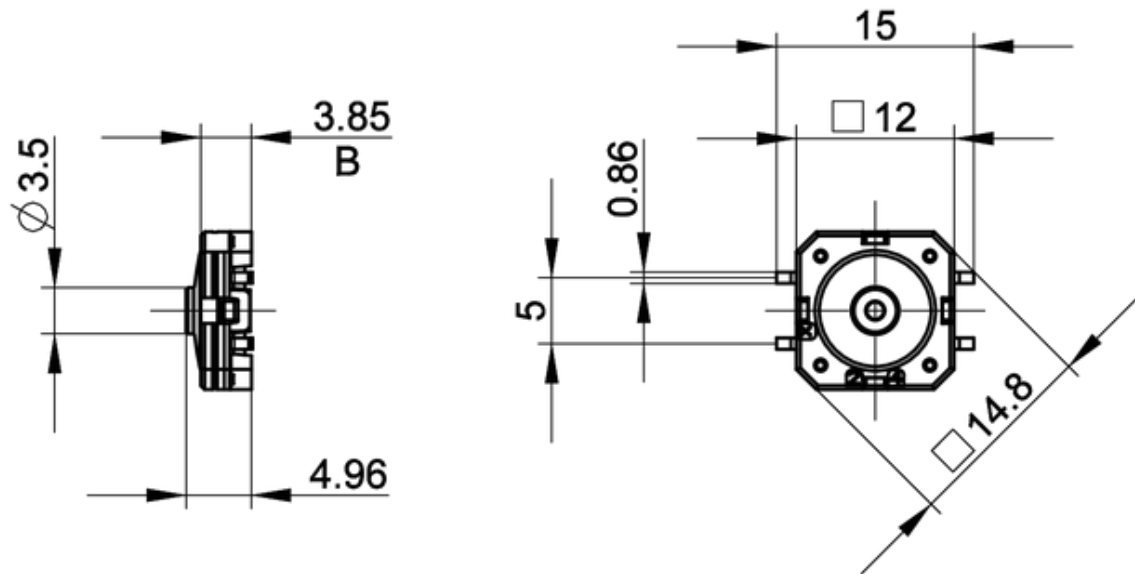
direct links

- › [RAFI eCatalog](#)

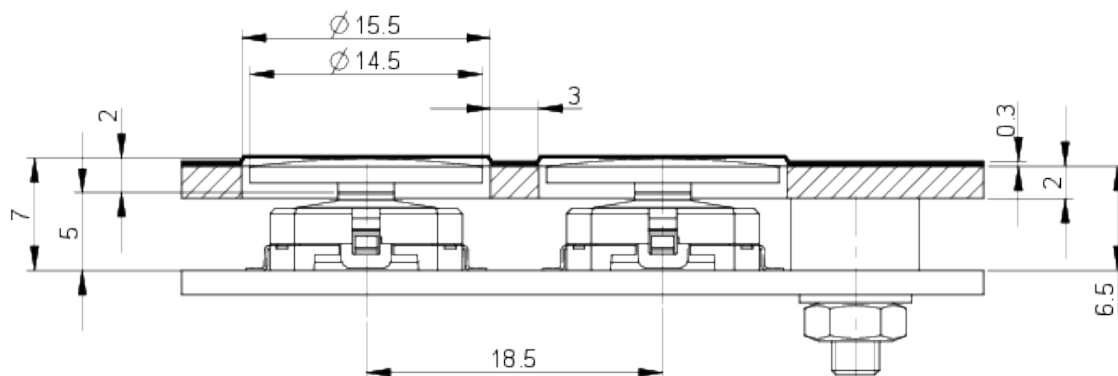
| | |
|--|--|
| Packaging | Blister |
| Packaging unit | 750 pcs. |
| net weight | 1.5 g |
| Operating life | 1,000,000 cycles |
| B10 | 1,300,000 cycles |
| Degree of protection, front side, according to DIN EN 60529 | IP54 IPx7 |
| Degree of protection, rear side, according to DIN EN 60529 | IP54 IPx7 |
| MSL Moisture Sensitivity Level | 1 |
| Corrosive gas testing according to standard | Yes |
| MOQ order | 750 pcs. |
| RoHS compliant | Yes |
| REACH compliant | Yes |
| Component material | Elastomer |
| Product code | 4C |
| > mounting diameters | |
| Outside dimension, length | 12 mm |
| Outside dimension, width | 12 mm |
| Installation height | 4.95 ± 0.1 mm |
| Grid, min. | 12.50 x 15.24 mm |
| > mechanical data | |
| Actuation function | momentary contact function |
| Operating force, max. | 8 N |
| Operating force, min. | 4.7 ± 0.8 N |
| Switching travel | 0.66±0.1 mm |
| Contact function | 1 NO |
| Contact system | Snap-action contact SPST - Single Pole Single Throw |
| Contact material | Gold |
| Solderability | Yes |
| Terminal on the rear | SMT |
| > electrical data | |
| Rated voltage, min. | 0.02 V |
| Rated voltage, max. | 35 V |
| Rated current, min. | 0.00001 A |
| Rated current, max. | 0.1 A |
| Rated power, max. | 1 W |

drawings

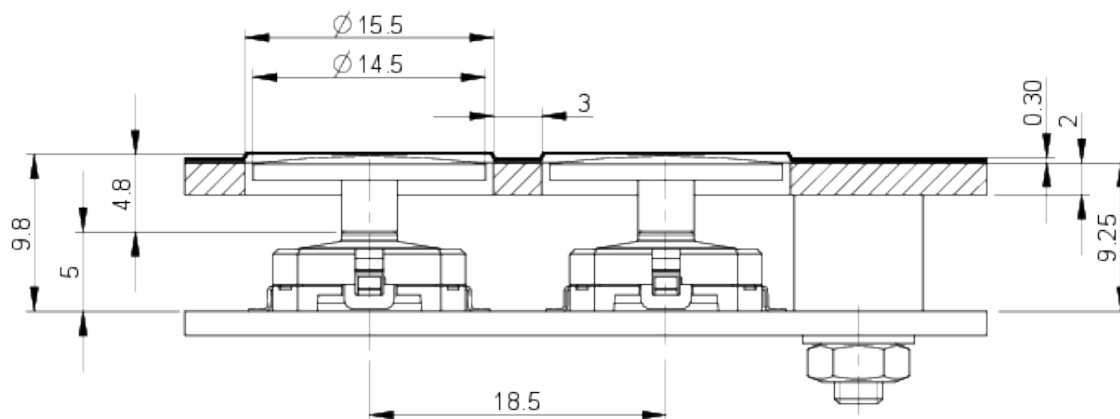
Dimensioned drawing



System drawing



System drawing

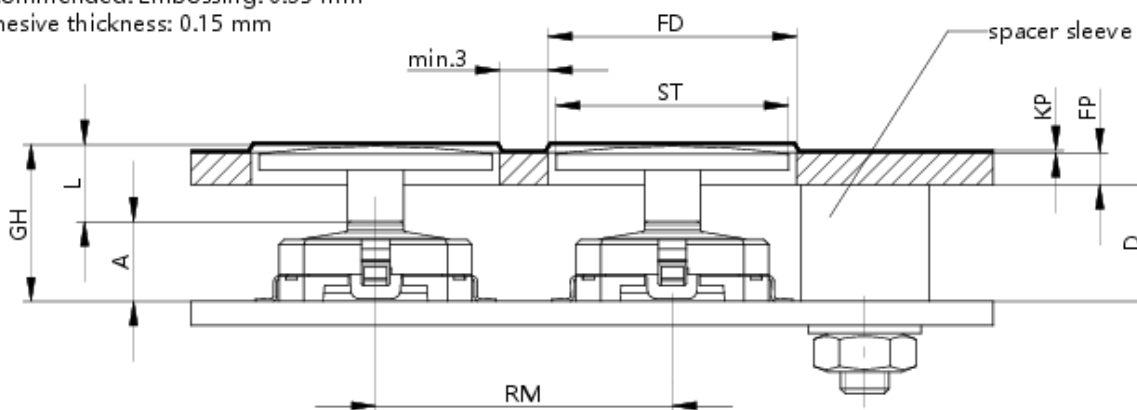


System drawing

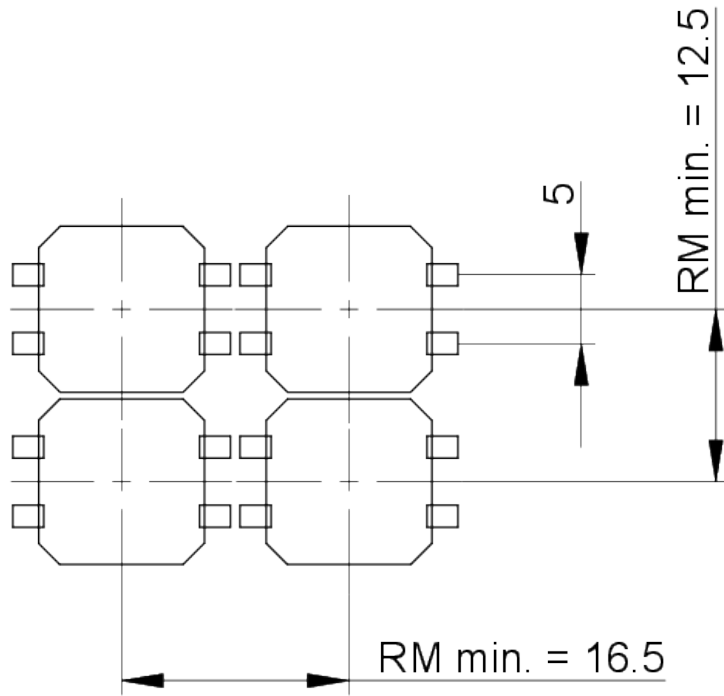
SMT gullwing connection

Recommended: Embossing: 0.35 mm

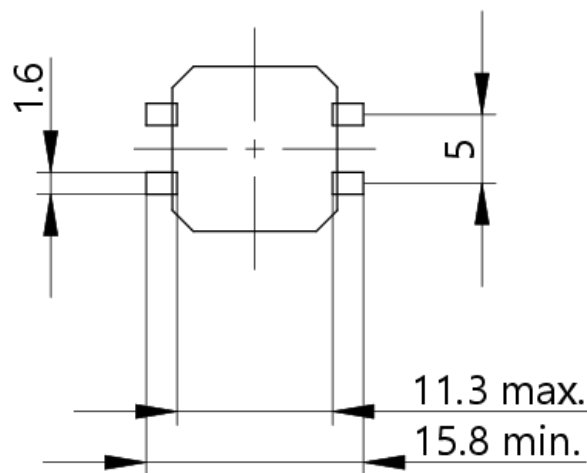
Adhesive thickness: 0.15 mm



PCB drawing

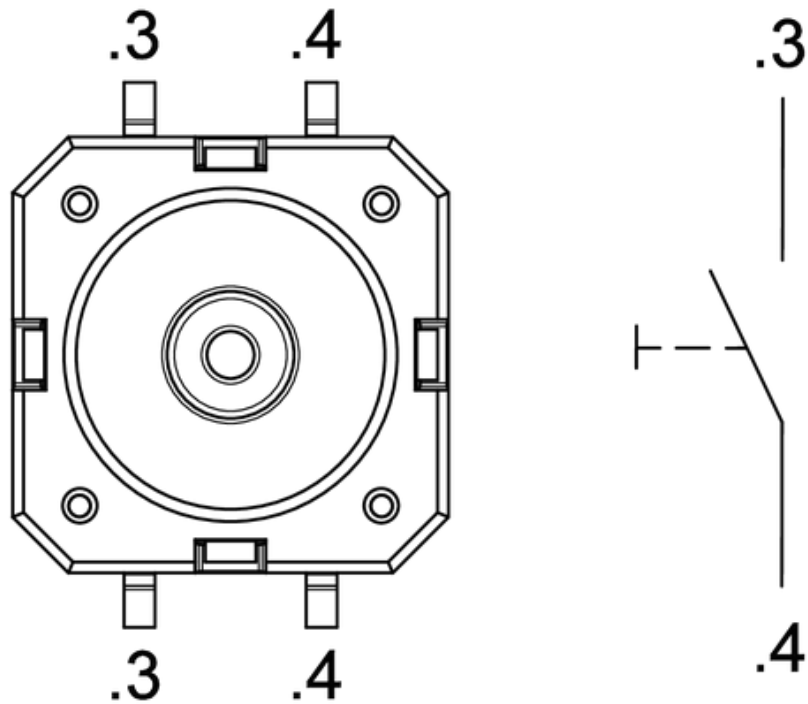


PCB drawing

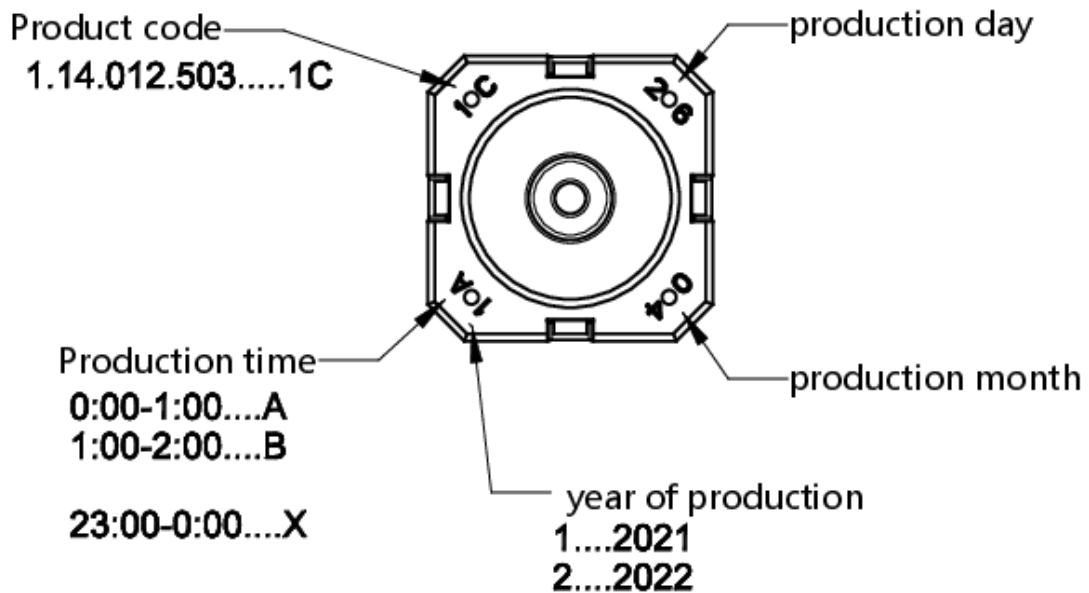


PCB-Pad
component side

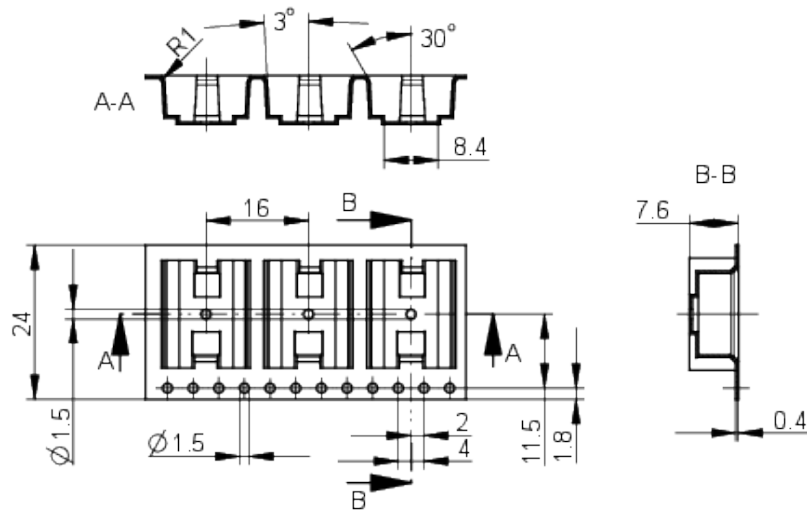
Schematic diagram



Product labeling drawing



Packaging drawing

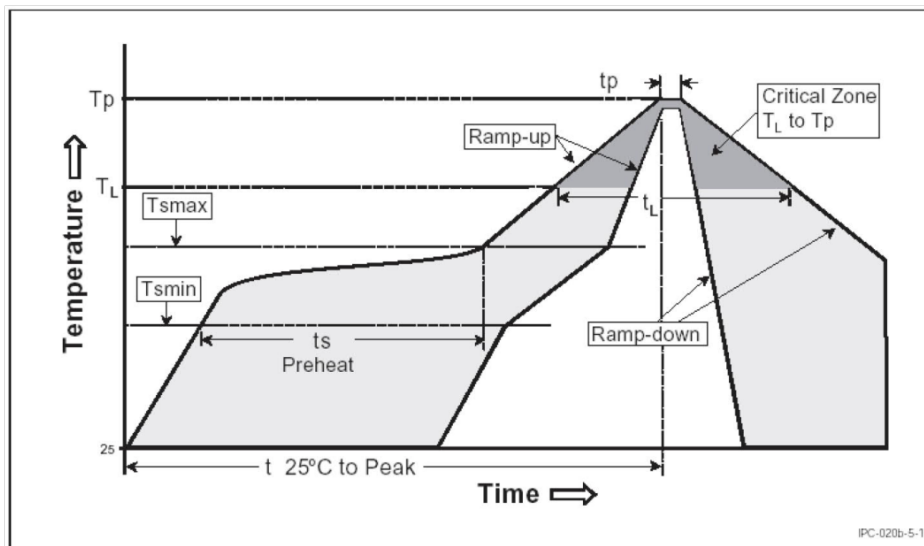


mounting

RAFI soldering profile for ROHS compliant reflow components



Publication date: October 7, 2021



| Parameter | RAFI values |
|--|---------------------|
| Gradient (T_L to T_P) | max. 3°C / s |
| Preheating zone | |
| Minimum temperature (T_{smin}) | 150°C |
| Maximum temperature (T_{smax}) | 200°C |
| Time (from min. to max.) (t_s) | 60 - 120 s |
| Gradient (T_{smax} to T_L) | max. 3°C / s |
| Time over melting temperature (T_L) time (t_L) | 217°C 60 - 150 s |
| Peak temperature (T_P) | max. 260°C (+0°C) |
| Time within peak temperature – 5°C (t_p) | 20-40 s |
| Gradient ramp down | max. 6°C / s |
| Time difference from 25°C to peak temperature | max. 8 minutes |

The reflow soldering profile is based on the definition of Jecdec J-STD-020D.

The information in this sheet only contains general descriptions and / or performance features, which may not apply precisely as described to the respective application, and which may change due to further product enhancements. The technical data, illustrations and other information about our products are the mere results of individual technical testing. These descriptions and other product features are only binding if they expressly agreed upon at the time of the conclusion of a binding contract. In all other cases, we reserve the right to make technical changes as well as changes of availability. Pictures and other graphic illustrations are approximations only. All product names may be trademarks or brand names of the RAFI Group or any other sub-supplier of RAFI. The use of such by any third parties for their own purposes may infringe the rights of the respective entity holding those rights. Subject to change and errors excepted. Details about delivery times and availability are noncommittal and have no legal force.

RAFI GmbH & Co. KG
Ravensburger Str. 128-134, 88276 Berg / Ravensburg
GERMANY – www.rafi-group.com

page 1 of 1