

LUMOTAST 75 IP65, illuminated pushbutton, square collar, flat bezel, momentary contact function, 1 NC + 1 NO



fields of application

- › Measurement-control-regulation
- › Mechanical and system engineering
- › Signalling systems

special features

- › Water jet protection class IP 65 on front
- › Mounting hole diameter 16.2 mm
- › 3 collar shapes – also rectangular
- › Lamp socket: T4.5: full-surface illumination with LED is possible
- › Silver contacts with self-cleaning snap-action contact bridge for safe switching, suitable for large currents (max. 250 V / 4 A)
- › Contact configurations: 1 NC +1 NO or 2 NC + 2 NO
- › Solder terminal



description

LUMOTAST 75 illuminated pushbuttons and signal lamps have been in use for decades. They are the most successful mono-switches in RAFI history. The wide range of collar shapes in classic design and the established terminal and legending concept make the LUMOTAST 75 series one of your most reliable components. The pushbuttons and signal lamps are available in IP 65 protection class according to DIN. They come with a 2.5 mm higher collar than the variant with IP 40, due to the additional seal. Lenses and diffusing discs must be ordered separately.

technical data

› general

| | |
|---|---|
| Collar color | black |
| Collar shape | square |
| Operating temperature, min. | -25 °C |
| Operating temperature, max. | 55 °C |
| Storage temperature, min. | -40 °C |
| Storage temperature, max. | 80 °C |
| illuminated | Yes |
| Lamp socket | T4.5 |
| Packaging | Box |
| Packaging unit | 10 pcs. |
| net weight | 10 g |
| Operating life electrical | 200,000 (2A / 250V AC) cycles 60.000 (4A / 250V AC) cycles |
| B10 | 260,000 cycles |
| Degree of protection, front side, according to DIN EN 60529 | IP65 |

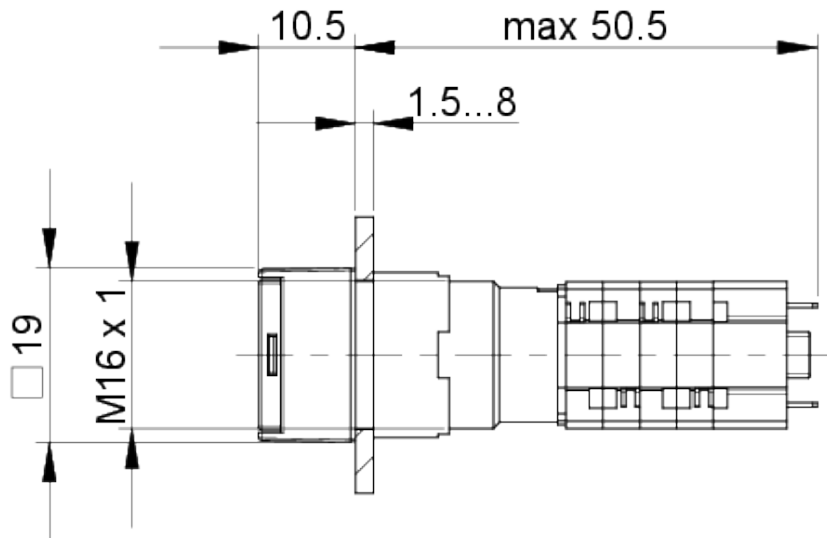
direct links

- › [RAFI eCatalog](#)

| | |
|--------------------------------|--|
| Environment resistance | IEC 60068-2-14 IEC 60068-2-30 IEC 60068-2-33 IEC 60068-2-78 |
| Protection class | II |
| MOQ order | 20 pcs. |
| RoHS compliant | Yes |
| REACH compliant | Yes |
| > mounting diameters | |
| Outside dimension, length | 19 mm |
| Outside dimension, width | 19 mm |
| Mounting hole | 16.2 mm |
| Mounting depth | 57.5 mm |
| Installation height | 10.5 mm |
| > mechanical data | |
| Actuation function | momentary contact function |
| Operating force, max. | 6.5 N |
| Operating force, min. | 3 N |
| Operating travel, max. | 2.5 mm |
| Contact function | 1 NC + 1 NO |
| Contact system | Bridge-snap-action contact |
| Contact material | Silver |
| Fixing | Threaded ring |
| Solderability | Yes |
| Terminal on the rear | Solder terminal |
| > electrical data | |
| Rated voltage, min. | 12 V |
| Rated voltage, max. | 230 V |
| Rated current, min. | 0.05 A |
| Rated current, max. | 4 A |

drawings

Dimensioned drawing



Mounting hole drawing

