

## LUMOTAST 75 IP40, keylock switch, round collar, 1 NC + 1 NO, Silver, Solder terminal, 90°, latching, key removal position 0



### fields of application

- > Measurement-control-regulation
- > Mechanical and system engineering
- > Signalling systems



### description

The locking systems we use were created according to the DIN EN 1303 standard by well-known lock manufacturers. They are open, mechanical systems which, depending on the environmental conditions, require occasional maintenance (e.g. greasing & oiling) by the machine or system operator.

The LUMOTAST 75 key-operated switches have proven themselves over decades. The familiar connection concept makes the LUMOTAST 75 series your reliable component. Illuminated pushbuttons and signal lamps are also available to match the design. The basic version of the LUMOTAST 75 offers protection class IP 40 according to DIN.

### technical data

#### > general

|   |               |
|---|---------------|
| Collar color  | black         |
| Collar shape  | round         |
| Operating temperature, min.                                 | -25 °C        |
| Operating temperature, max.                                 | 70 °C         |
| Storage temperature, min.                                   | -40 °C        |
| Storage temperature, max.                                   | 80 °C         |
| illuminated   | No            |
| Packaging   | Box           |
| Packaging unit  | 2 pcs.        |
| Operating life  | 50,000 cycles |
| B10   | 65,000 cycles |
| Degree of protection, front side, according to DIN EN 60529 | IP40          |
| MOQ order   | 10 pcs.       |
| RoHS compliant  | Yes           |
| REACH compliant   | Yes           |

#### direct links

- > RAFI eCatalog

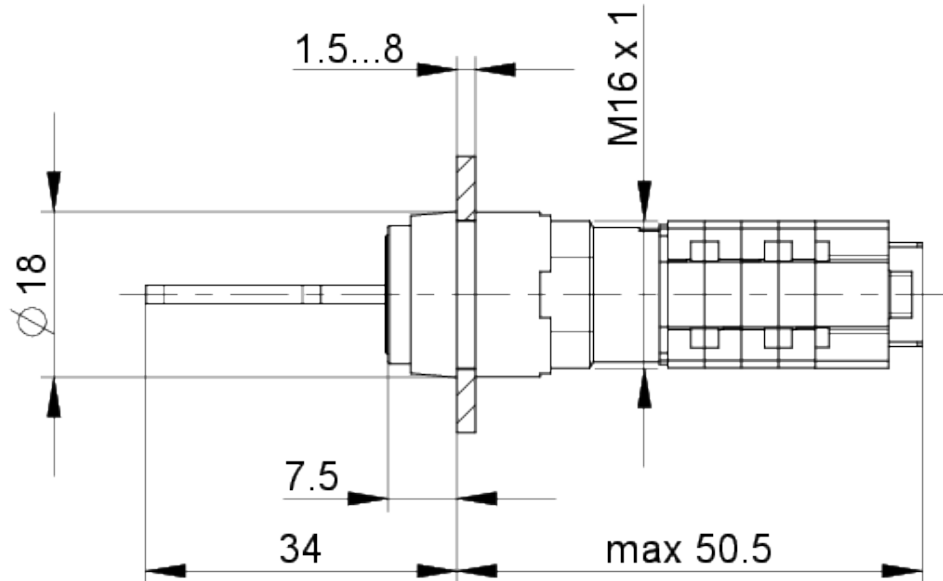
#### > mounting diameters

|                           |         |
|---------------------------|---------|
| Outside dimension, length | 18 mm   |
| Outside dimension, width  | 18 mm   |
| Outside dimension, height | 49 mm   |
| Mounting hole             | 16.2 mm |
| Mounting depth            | 41.5 mm |

|                             |                            |
|-----------------------------|----------------------------|
| Installation height         | 7.5 mm                     |
| Collar dimension            | 18 mm                      |
| <b>&gt; mechanical data</b> |                            |
| Actuation function          | latching                   |
| Contact function            | 1 NC + 1 NO                |
| Contact system              | Bridge-snap-action contact |
| Contact material            | Silver                     |
| Locking position            | 45                         |
| Number of locking positions | 45                         |
| Key removal position        | 0                          |
| Rotating angle              | 90°                        |
| Fixing                      | Threaded ring              |
| Solderability               | Yes                        |
| Terminal on the rear        | Solder terminal            |
| <b>&gt; electrical data</b> |                            |
| Rated voltage, min.         | 12 V                       |
| Rated voltage, max.         | 230 V                      |
| Rated current, min.         | 0.05 A                     |
| Rated current, max.         | 4 A                        |

**drawings**

**Dimensioned drawing**



**Mounting hole drawing**

