

LUMOTAST 16, pushbutton, round collar, momentary contact function, frontring metallic silver, 1 NO, bezel red



fields of application

- › Measurement-control-regulation
- › Electrical engineering
- › Mechanical and system engineering
- › Signalling systems
- › Handheld terminals
- › Industrial robots
- › Model construction

special features

- › Option: C-LAB variant with replaceable legend inserts
- › Round mounting hole, diameter 16.2 mm
- › Mounting depth: 18 mm
- › Terminal: male quick-connect terminal 2.8 x 0.5 mm
- › Gold or silver contacts
- › Contacts: Standard: 1NO
- › max 35 V / 100 mA
- › Water jet protection class IP 65 and IP 67 on front



description

Through the use of RAFI tactile switches, the LUMOTAST 16 pushbuttons offer crisp, tactile feedback – with a distinct key click. They offer an impressively wide range of possible industrial uses and applications.

technical data

› general

| | |
|---|-----------------|
| Bezel color | red |
| Property of bezel / mushroom | translucent |
| Collar color | black |
| Front ring color | metallic silver |
| Collar shape | round |
| Operating temperature, min. | -25 °C |
| Operating temperature, max. | 70 °C |
| Storage temperature, min. | -40 °C |
| Storage temperature, max. | 80 °C |
| illuminated | No |
| Packaging | Box |
| Packaging unit | 10 pcs. |
| net weight | 3.9 g |
| Operating life | 500,000 cycles |
| B10 | 600,000 cycles |
| Degree of protection, front side, according to DIN EN 60529 | IP65 IP67 |
| UL Enclosure Type Rating front side | type 1 |

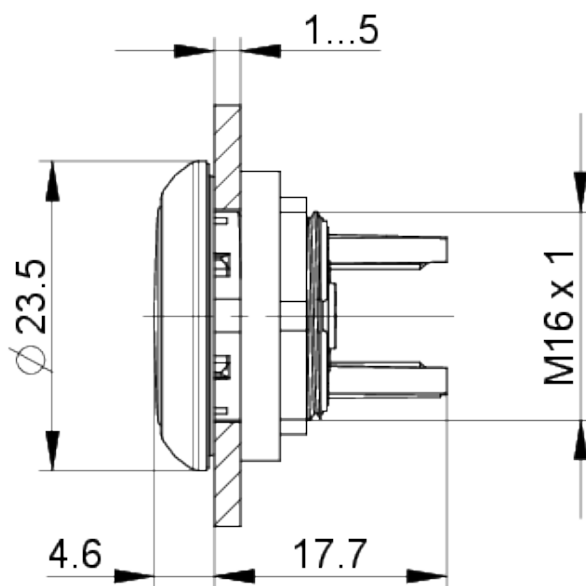
direct links

- › [RAFI eCatalog](#)

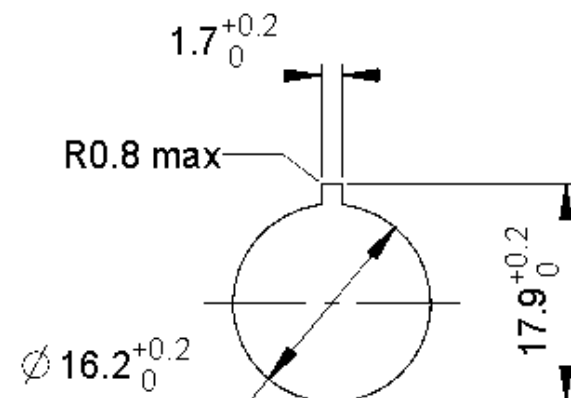
| | |
|--|---------------------------------------|
| Vibration resistance according to standard IEC 60068-2-6 | 5 g at 10 - 500 Hz |
| oscillation resistance according to standard IEC 60068-2-6 | 5 g at 10...500 Hz |
| MOQ order | 10 pcs. |
| RoHS compliant | Yes |
| REACH compliant | Yes |
| > mounting diameters | |
| Outside dimension, length | 23.5 mm |
| Outside dimension, width | 23.5 mm |
| Outside dimension, height | 22.3 mm |
| Mounting hole | 16.2 mm |
| Mounting depth | 18 mm |
| Installation height | 4.6 mm |
| Collar dimension | 23.5 mm |
| > mechanical data | |
| Actuation function | momentary contact function |
| Contact function | 1 NO |
| Contact system | Snap-action contact |
| Contact material | Gold |
| Fixing | Threaded ring |
| Solderability | No |
| Threaded ring torque, max. | 0.8 Nm |
| Terminal on the rear | Flat quick-connect terminal 2.8 x 0.5 |
| > electrical data | |
| Rated insulation voltage | 42 V |
| Rated voltage, min. | 0.02 V |
| Rated voltage, max. | 35 V |
| Rated voltage, max. acc. to UL 60947 | 30 V AC (42,2 V peak) |
| Voltage type | DC |
| Rated operating voltage | 0.02-35 V |
| Rated current, min. | 0.0001 A |
| Rated current, max. | 0.1 A |
| Rated power, max. | 1 W |

drawings

Dimensioned drawing



Mounting hole drawing



Schematic diagram

