

LUMOTAST 16, mushroom-headed pushbutton, 2 NC + 1 NO, Silver, Flat quick-connect terminal 2.8 x 0.5 tin-plated, reset by rotating, Mushroom head red, arrows red



fields of application

- › Measurement-control-regulation
- › Electrical engineering
- › Mechanical and system engineering
- › Signalling systems
- › Handheld terminals
- › Industrial robots
- › Model construction

special features

- › Round mounting hole, diameter 16.2 mm
- › Mounting depth: 18 mm
- › Terminal: male quick-connect terminal 2.8 x 0.5 mm
- › Solderability: lead-free soldering with maximum 280°C for 5 seconds
- › Water jet protection class IP 65 and IP 67 on front



description

Thanks to its small installation dimensions and high degree of protection, the LUMOTAST 16 mushroom pushbutton offers a mushroom pushbutton for a wide range of applications and uses in the industrial sector.

technical data

› general

Color of mushroom	red
Legending color	red
Collar shape	round
Operating temperature, min.	-25 °C
Operating temperature, max.	70 °C
Storage temperature, min.	-40 °C
Storage temperature, max.	80 °C
illuminated	No
Packaging	Box
Packaging unit	10 pcs.
net weight	13.6 g
Operating life	30,000 cycles
B10	50,000 cycles
Degree of protection, front side, according to DIN EN 60529	IP65 IP67
shock resistance	05 side 05 frontal
MOQ order	10 pcs.
RoHS compliant	Yes
REACH compliant	Yes

direct links

- › [RAFI eCatalog](#)

› mounting diameters

Outside dimension, length	29.6 mm
Outside dimension, width	29,6 mm
Outside dimension, height	40.6 mm
Mounting hole	16.2 mm
Mounting depth	18.2 mm
Installation height	22.6 mm

> mechanical data

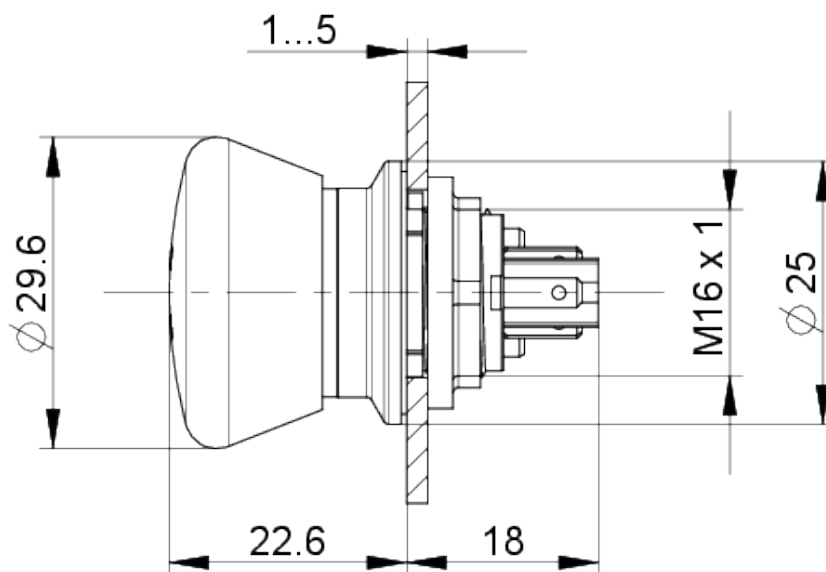
Actuation function	latching
Contact function	2 NC + 1 NO
Contact material	Silver
Resetting	by rotating
Fixing	Threaded ring
Solderability	Yes
Threaded ring torque, max.	0.8 Nm
Terminal on the rear	Flat quick-connect terminal 2.8 x 0.5 tin-plated

> electrical data

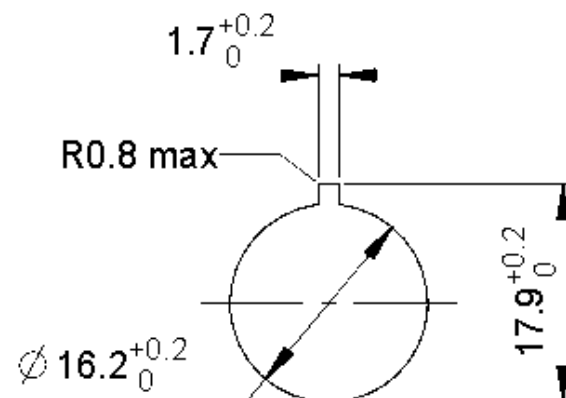
Rated insulation voltage	250 V
Rated voltage, min.	10 V
Rated voltage, max. acc. to UL 60947	35 V / 2 A (AC / DC)
Voltage type	AC / DC
Rated operating voltage	0.01-250 V
Rated current, min.	0.015 A
Rated power, max.	250 W
Category of use AC-15 / B300	240 V / 1,5 A (IEC 60947) 35 V / 5 A (IEC 60947)
Category of use DC-13 / Q300	35 V / 2 A (IEC60947) 250 V / 0,27 A (IEC)

drawings

Dimensioned drawing



Mounting hole drawing



Schematic diagram

