

E-BOX MODULAR, housing, 250 V, 22.3 mm, M16 to the side, light gray



fields of application

- › Measurement-control-regulation
- › Mechanical and system engineering
- › Construction machinery
- › Industrial robots
- › Model construction
- › Home technology

special features

- › Compact dimensions: 109 x 40 x 27 mm
- › For actuators from the RAFIX 22 FS+ control device series (mounting hole \varnothing 22.3 mm)
- › Switching elements with 2 contacts (for emergency stop "PLUS1" with 3 contacts)
- › Optionally with LED for illuminated actuators
- › With yellow upper housing part for emergency stop actuator
- › With gray upper housing part for standard actuators such as pushbuttons
- › Fastening with time-saving single-hole screw fastening technology, particularly suitable for aluminum profile rails or alternatively direct fastening with M4 screws
- › Includes cable entry for direct cabling: M16 at the side or M20 at the base



description

The elegant and flat E-BOX is the complete housing for RAFIX 22 FS+ control units. It is used where individual control devices are required at remote locations - for example, emergency stop applications along a production facility or at a safety fence. The compact dimensions of the E-BOX are based on the edge dimensions of a 40 mm profile rail. Installation is also designed with this in mind. This is quick and easy thanks to the modular system consisting of a lower and upper housing section, contact module with switching element and emergency stop actuator.

technical data

› general

Color	light gray
Operating temperature, min.	-25 °C
Operating temperature, max.	70 °C
Storage temperature, min.	-40 °C
Storage temperature, max.	80 °C
Packaging	Box
Packaging unit	1 pcs.
net weight	100.8 g

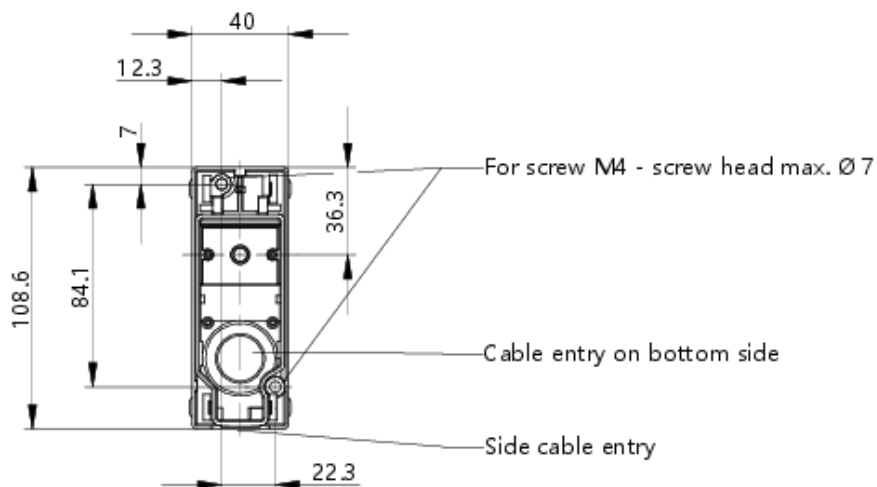
direct links

- › [RAFI eCatalog](#)

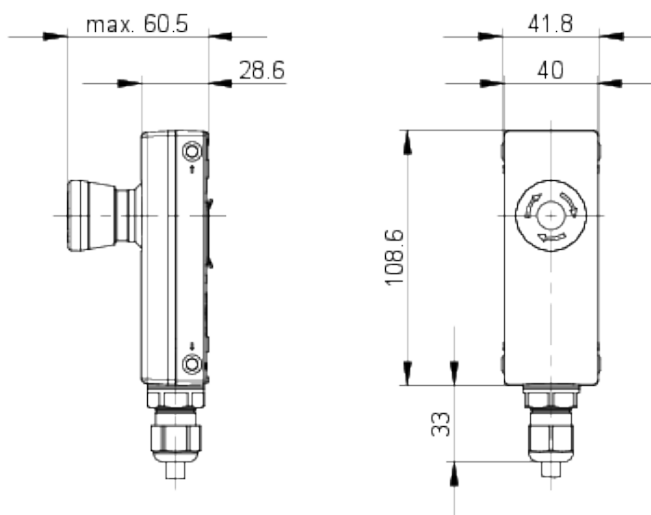
Degree of protection, front side, according to DIN EN 60529	IP65
Degree of protection, rear side, according to DIN EN 60529	IP65
Protection class	II
MOQ order	5 pcs.
RoHS compliant	Yes
REACH compliant	Yes
> mounting diameters	
Outside dimension, length	108,6 mm
Outside dimension, width	40 mm
Outside dimension, height	27 mm
Mounting hole	22.3 mm
> mechanical data	
Fixing	Assembly clip
Terminal on the rear	M16 to the side
> electrical data	
Operating voltage, max.	250 V

drawings

Dimensioned drawing



System drawing



System drawing

