

E-BOX M12, emergency stop, 2 NC, Gold, M12 4-pin A-coded, reset by rotating, Mushroom head red



fields of application

- › Measurement-control-regulation
- › Mechanical and system engineering
- › Construction machinery
- › Industrial robots
- › Model construction
- › Home technology

special features

- › Compact dimensions: 109 x 40 x 27 mm
- › Various actuator-indicator combinations from the RAFIX 22 FS+ control unit series
- › With yellow upper part of housing for combinations with emergency stop actuator
- › With gray upper part of housing for pushbutton combinations
- › Mounting with time-saving single-hole screw mounting technology, particularly suitable for aluminum profile rails or alternatively direct mounting with M4 screws
- › Connection with M12 plug: "Plug and Play"



description

The E-Box M12 is a ready-to-connect, completely equipped housing including actuator and switching elements. Thus, for example, emergency stop, on/off and up/down functions, also with additional status displays, can be implemented with the very compact dimensions of the E-Box. The assembly: Screw on the clip, put on the box, connect the plug, check and ready. The E-Box M12 can be used wherever individual command device units are required at decentralized locations. Typically, for example, for emergency stop applications along a production facility or at the safety fence. The dimensions of the E-Box M12 are based on the edge dimensions of a 40 mm profile rail and the mounting concept is also designed for this.

technical data

› general

| | |
|-----------------------------|----------------|
| Actuator position 1 | Emergency stop |
| Color | yellow |
| Color of mushroom | red |
| Operating temperature, min. | -25 °C |
| Operating temperature, max. | 70 °C |
| Storage temperature, min. | -40 °C |
| Storage temperature, max. | 80 °C |
| illuminated | No |
| Packaging | Box |
| Packaging unit | 1 pcs. |
| net weight | 107.5 g |
| Operating life | 50,000 cycles |
| B10 | 65,000 cycles |

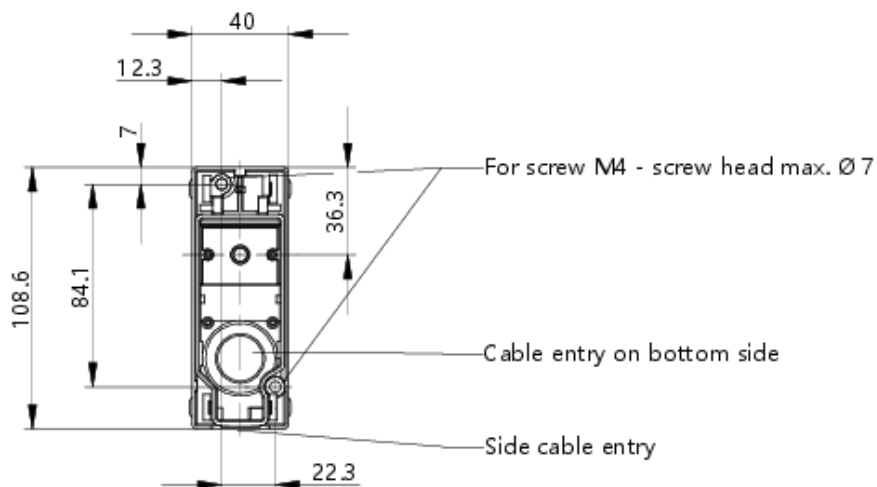
direct links

- › [RAFI eCatalog](#)

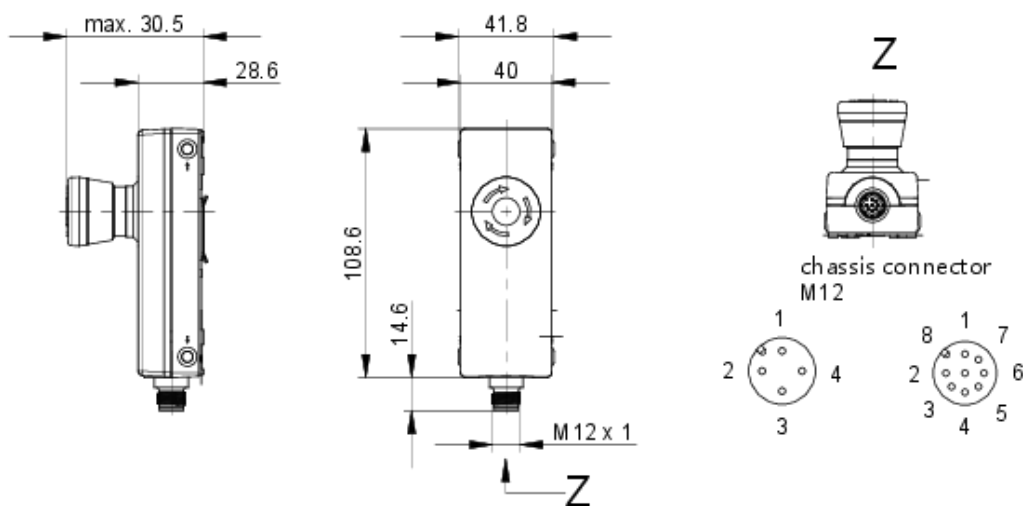
| | |
|--|---------------------------|
| B10d | 130,000 cycles |
| Degree of protection, front side, according to DIN EN 60529 | IP65 |
| Degree of protection, rear side, according to DIN EN 60529 | IP65 |
| Protection class | II |
| MOQ order | 5 pcs. |
| RoHS compliant | Yes |
| REACH compliant | Yes |
| > mounting diameters | |
| Outside dimension, length | 123.2 mm |
| Outside dimension, width | 40 mm |
| Outside dimension, height | 60.2 mm |
| > mechanical data | |
| Contact function | 2 NC |
| Contact material | Gold |
| Resetting | by rotating |
| Fixing | Assembly clip |
| Terminal on the rear | M12 4-pin A-coded |
| PIN 1 | Normally closed contact 1 |
| PIN 2 | Normally closed contact 1 |
| PIN 3 | Normally closed contact 2 |
| PIN 4 | Normally closed contact 2 |
| > electrical data | |
| Rated voltage, min. | 5 V |
| Rated voltage, max. | 35 V |
| Voltage type | AC / DC |
| Rated operating voltage | 5-35 V |
| Rated current, min. | 0.001 A |
| Rated current, max. | 0.1 A |
| Rated power, max. | 0.25 W |
| Power loss | 0.00030 W |

drawings

Dimensioned drawing



System drawing



Schematic diagram

