

RAFIX 16, potentiometer-type drive, round collar



fields of application

- > Measurement-control-regulation
- > Electrical engineering
- > Mechanical and system engineering
- > Industrial robots



description

To operate potentiometers with a shaft diameter of 6 mm. Suitable for potentiometers to DIN 41 450 with a shaft length of 32 mm. Potentiometer not included.

Potentiometer drive, available in three collar shapes to match the design of the RAFIX 16 actuators.

technical data

> general

| | |
|---|--|
| Collar shape | round |
| Operating temperature, min. | -25 °C |
| Operating temperature, max. | 70 °C |
| Storage temperature, min. | -40 °C |
| Storage temperature, max. | 85 °C |
| illuminated | No |
| Packaging | Box |
| Packaging unit | 2 pcs. |
| net weight | 11.3 g |
| Degree of protection, front side, according to DIN EN 60529 | IP65 |
| Environment resistance | IEC 60068-2-14 IEC 60068-2-30 IEC 60068-2-33 IEC 60068-2-78 |
| MOQ order | 10 pcs. |
| RoHS compliant | Yes |
| REACH compliant | Yes |

direct links

- > [RAFI eCatalog](#)

> mounting diameters

| | |
|---------------------------|----------|
| Outside dimension, length | 24.95 mm |
| Outside dimension, width | 24.95 mm |
| Outside dimension, height | 42.85 mm |
| Mounting hole | 16.2 mm |
| Mounting depth | 19.2 mm |
| Installation height | 23.65 mm |

Grid, min. 25 x 25 mm

Collar dimension \varnothing 24,95 mm

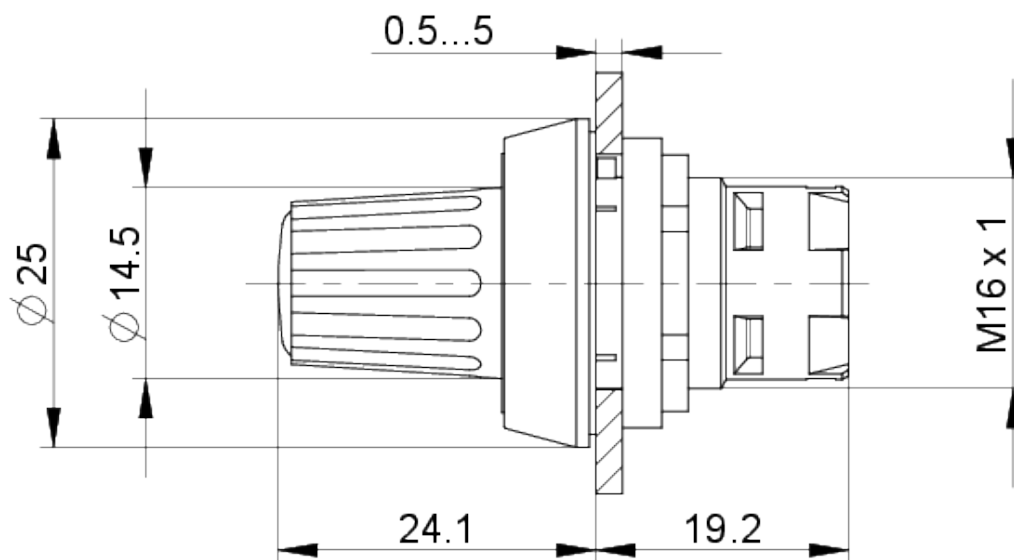
> **mechanical data**

Fixing Threaded ring

Threaded ring torque, max. 1.2 Nm

drawings

Dimensioned drawing



Mounting hole drawing

