

## RAFIX 16 F, illuminated pushbutton, flat bezel, round collar, bezel green



### fields of application

- › Measurement-control-regulation
- › Electrical engineering
- › Mechanical and system engineering
- › Vehicle construction

### special features

- › Transparent panels, illuminable
- › Lettering with inserts possible
- › Flat construction
- › Robust - also suitable for operation with gloves
- › Degree of protection: IP 65 at the front
- › Separate switching elements required
- › Close mounting of actuators possible due to axial wiring from behind
- › Switching elements with silver contacts (max. 250 V / 6 A) or gold contacts (max. 35 V / 0.25 A)
- › Connection types: screw connection, plug-in connection, PCB plug-in socket



### description

RAFIX command devices are modular units consisting of several parts. In the RAFIX 16 F product family, these always consist of an actuating element and a switching element, or an indicator lamp and a lamp socket. Actuating elements (such as pushbuttons or emergency stop actuators) have the specified tactility, reset and function only when assembled with the appropriate switching elements. For illuminated actuators, please use switching elements with lamp socket.

For RAFIX 16F actuators, you can choose between two collar shapes: round and square. Both are characterized by an extremely flat design. The round collar shape has an anti-rotation lug that can be easily removed with a screwdriver if necessary. The square actuators can be placed collar to collar to create a closed keypad.

### technical data

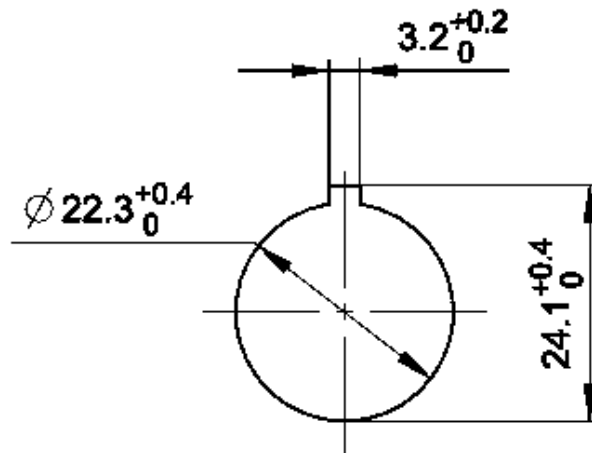
#### › general

|                              |                 |
|------------------------------|-----------------|
| Bezel color                  | green           |
| Property of bezel / mushroom | transparent     |
| Collar color                 | metallic silver |
| Collar shape                 | round           |
| Operating temperature, min.  | -25 °C          |
| Operating temperature, max.  | 70 °C           |
| Storage temperature, min.    | -40 °C          |
| Storage temperature, max.    | 85 °C           |
| illuminated                  | Yes             |

#### direct links

- › [RAFI eCatalog](#)

|  |  |
|--|--|
| Packaging  | Box  |
| Packaging unit   | 10 pcs.  |
| net weight   | 7.8 g  |
| Operating life   | 2,000,000 cycles   |
| B10  | 2,600,000 cycles   |
| Degree of protection, front side,<br>according to DIN EN 60529 | IP65   |
| Environment resistance   | IEC 60068-2-14<br>IEC 60068-2-30<br>IEC 60068-2-33<br>IEC 60068-2-78 |
| Protection class   | II   |
| MOQ order  | 100 pcs.   |
| RoHS compliant   | Yes  |
| REACH compliant  | Yes  |
| <b>&gt; mounting diameters</b>                                 |  |
| Outside dimension, length                                      | 28 mm  |
| Outside dimension, width                                       | 28 mm  |
| Outside dimension, height                                      | 26.2 mm  |
| Mounting hole  | 22.3 mm  |
| Mounting depth   | 50 mm  |
| Installation height  | 1.9 mm   |
| Grid, min.   | 30 x 30 mm   |
| Collar dimension   | ø 28 mm  |
| <b>&gt; mechanical data</b>                                    |  |
| Operating force, max.  | 100 N  |
| Fixing   | Threaded ring  |
| Threaded ring torque, max.                                     | 1.2 Nm   |

**drawings****Mounting hole drawing**

acc. to IEC 60947-5-1