

# RAFIX 16 F, illuminated selector switch, square collar, 1 x 90°, shape V, latching, illuminable



## fields of application

- › Measurement-control-regulation
- › Electrical engineering
- › Mechanical and system engineering
- › Vehicle construction

## special features

- › Wahlschalter in diversen Drehwinkel-Varianten
- › Drehgriffmarkierung beleuchtbar
- › Robust – auch für die Bedienung mit Handschuhen geeignet
- › Enge Anreihung der Betätiger möglich, da Verdrahtungsaufwand axial von hinten
- › Schutzgrad: IP 65 frontseitig
- › Separate Schaltelemente UNIVERSAL erforderlich
- › Schaltelemente mit Silberkontakten (max. 250 V / 6 A) oder Goldkontakten (max. 35 V / 0,25 A)
- › Anschlussarten: Schraubanschluss, Steckanschluss, Leiterplatten-Stecksockel
- › Die Schaltelemente werden aufgerastet und können durch Drehung wieder demontiert werden.



## description

RAFIX command devices are modular units consisting of several parts. In the RAFIX 16 F product family, these always consist of an actuating element and a switching element, or an indicator lamp and a lamp socket. Actuating elements (such as pushbuttons or emergency stop actuators) have the specified tactility, reset and function only when assembled with the appropriate switching elements. For illuminated actuators, please use switching elements with lamp socket.

For RAFIX 16F actuators, you can choose between two collar shapes: round and square. Both are characterized by an extremely flat design. The round collar shape has an anti-rotation lug that can be easily removed with a screwdriver if necessary. The square actuators can be placed collar to collar to create a closed keypad.

## technical data

### › general

Property of bezel / mushroom	translucent
Collar color	black
Collar shape	square
Operating temperature, min.	-25 °C
Operating temperature, max.	70 °C

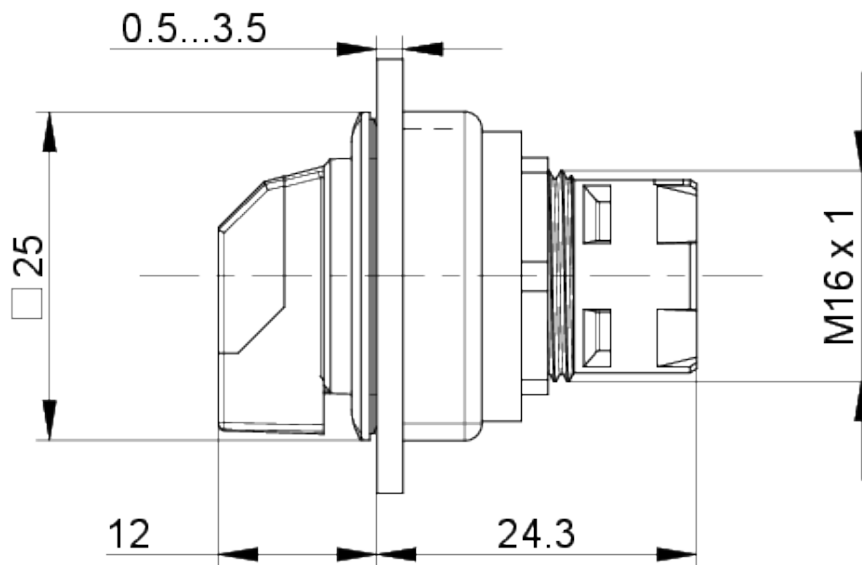
### direct links

- › [RAFI eCatalog](#)

Storage temperature, min.	-40 °C
Storage temperature, max.	85 °C
illuminated	Yes
Packaging	Box
Packaging unit	2 pcs.
net weight	10.2 g
Operating life	30,000 cycles
B10	40,000 cycles
Degree of protection, front side, according to DIN EN 60529	IP65
Environment resistance	IEC 60068-2-14 IEC 60068-2-30 IEC 60068-2-33 IEC 60068-2-78
MOQ order	10 pcs.
RoHS compliant	Yes
REACH compliant	Yes
<b>&gt; mounting diameters</b>	
Outside dimension, length	24.9 mm
Outside dimension, width	24.9 mm
Outside dimension, height	36.4 mm
Mounting hole	23.1 mm
Mounting depth	50 mm
Installation height	12.1 mm
Grid, min.	30 x 30 mm
Collar dimension	24,9 x 24,9 mm
<b>&gt; mechanical data</b>	
Actuation function	latching
Operating torque, max.	1.3 Nm
Rotating angle	1 x 90°, shape V
Fixing	Threaded ring
Threaded ring torque, max.	1.2 Nm

**drawings**

**Dimensioned drawing**



**Mounting hole drawing**

