

## RAFIX 16 F, keylock switch, square collar, 1 x 40°, momentary contact function



### fields of application

- › Measurement-control-regulation
- › Electrical engineering
- › Mechanical and system engineering
- › Vehicle construction

### special features

- › Robust - also suitable for operation with gloves
- › Close mounting of actuators possible, as wiring is axial from the rear
- › Degree of protection: IP 65 at the front
- › Separate switching elements UNIVERSAL required
- › Switching elements with silver contacts (max. 250 V / 6 A) or gold contacts (max. 35 V / 0.25 A)
- › Connection types: screw connection, plug-in connection, PCB plug-in socket
- › The switching elements are snapped on and can be removed again by turning.



### description

The locking systems we use were created according to the DIN EN 1303 standard by well-known lock manufacturers. They are open, mechanical systems which, depending on the environmental conditions, require occasional maintenance (e.g. greasing & oiling) by the machine or system operator.

RAFIX control units are modular units consisting of several parts. In the RAFIX 16 product family, these always consist of an actuating element and a switching element. Actuating elements (such as key switches) have the specified tactility, reset and function only when assembled with the appropriate switching elements.

With RAFIX 16 actuating elements, you can choose between three collar shapes: round, square or square side-by-side, in which the pushbuttons can be lined up seamlessly. The mounting diameter is 16.2 mm according to the standard. The anti-rotation lug can be easily removed with a screwdriver if necessary.

### technical data

#### › general

|                              |        |
|------------------------------|--------|
| Scope of delivery            | 2 keys |
| Bezel color                  | black  |
| Property of bezel / mushroom | opaque |
| Collar color                 | black  |

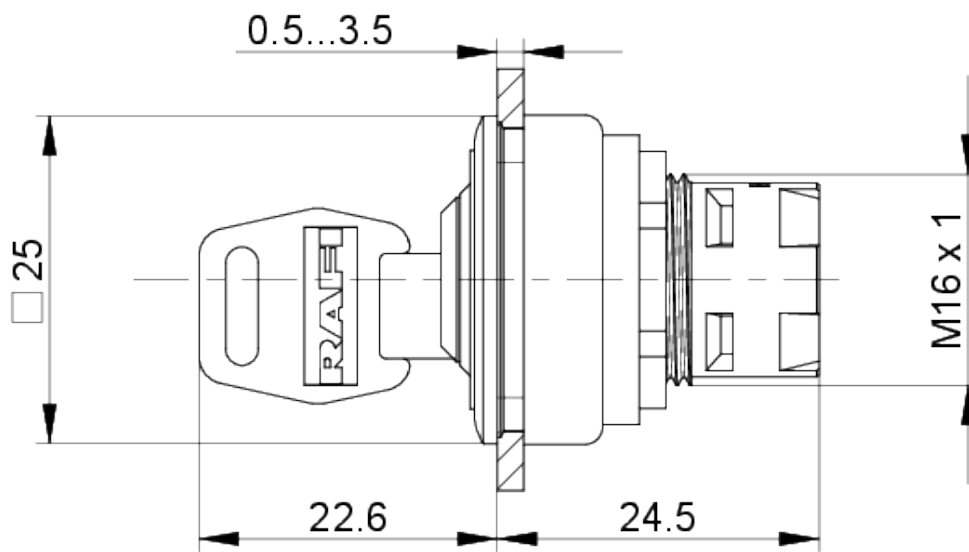
#### direct links

- › [RAFI eCatalog](#)

|  |  |
|--|--|
| Collar shape   | square   |
| Operating temperature, min.                                    | -25 °C   |
| Operating temperature, max.                                    | 70 °C  |
| Storage temperature, min.                                      | -40 °C   |
| Storage temperature, max.                                      | 85 °C  |
| illuminated  | No   |
| Packaging  | Box  |
| Packaging unit   | 2 pcs.   |
| net weight   | 30.7 g   |
| Operating life   | 65,000 cycles  |
| B10  | 84,500 cycles  |
| Degree of protection, front side,<br>according to DIN EN 60529 | IP65   |
| Environment resistance   | IEC 60068-2-14<br>IEC 60068-2-30<br>IEC 60068-2-33<br>IEC 60068-2-78 |
| Protection class   | II   |
| MOQ order  | 10 pcs.  |
| RoHS compliant   | Yes  |
| REACH compliant  | Yes  |
| <b>&gt; mounting diameters</b>                                 |  |
| Outside dimension, length                                      | 24.9 mm  |
| Outside dimension, width                                       | 24.9 mm  |
| Outside dimension, height                                      | 48.4 mm  |
| Mounting hole  | 23.1 mm  |
| Mounting depth   | 50 mm  |
| Installation height  | 24.1 mm  |
| Grid, min.   | 30 x 30 mm   |
| Collar dimension   | 24,9 x 24,9 mm   |
| <b>&gt; mechanical data</b>                                    |  |
| Actuation function   | momentary contact function   |
| Operating torque, max.   | 1.3 Nm   |
| Locking position   | 1  |
| Key lock   | Micromec   |
| Rotating angle   | 1 x 40°  |
| Fixing   | Threaded ring  |
| Threaded ring torque, max.                                     | 1.2 Nm   |

**drawings**

**Dimensioned drawing**



**Mounting hole drawing**

