

## RAFIX 22 QR, illuminated pushbutton, protruding bezel, round collar, momentary contact function, fronting metallic silver, bezel white



### fields of application

- › Measurement-control-regulation
- › Electrical engineering
- › Mechanical and system engineering
- › Vehicle construction

### special features

- › Transparent panels, illuminable
- › Lettering with inserts possible
- › Firmly moulded collar seal, cannot twist or be lost during installation.
- › 1-person mounting: the element is clamped in the mounting hole by the seal and can then be screwed in from behind.
- › Robust - also suitable for operation with gloves on
- › Degree of protection: IP 65 at the front
- › Mounting diameter 22.3 mm
- › Separate switching elements required
- › Close mounting of actuators possible (min. 30 x 50 mm), as wiring is axial from behind
- › Switching elements with silver contacts (max. 400 V) or gold contacts (max. 35 V / 100 mA)
- › Connection types switching elements: cage clamp, screw connection or plug-in connection



## description

RAFIX control units are modular units consisting of several parts. In the RAFIX 22 QR family, they always consist of an actuating element, coupling, and switching element, or of a light attachment, coupling, and lamp socket. For assembly, the switching elements and lamp holders are first snapped into the coupling. Then this unit is snapped onto the actuating element or the signal lamp. To release, a bayonet lever must be actuated.

Actuating elements (such as pushbuttons or emergency stop actuators) have the specified tactility and function only when assembled with the appropriate switching elements. For illuminated actuators and illuminated attachments, please use a lamp socket / LED element as the middle element in the coupling.

For RAFIX 22 QR actuating elements, you can choose between two collar shapes: round and square. The mounting diameter is 22.3 mm according to the standard. The anti-rotation lug can be easily removed with a screwdriver if necessary.

### Additional information according to UL certificate:

➤ These devices should be mounted in an overall enclosure with sufficient stability and with the specified clearances.

## technical data

### ➤ general

|   |  |
|---|--|
| Bezel color   | white  |
| Property of bezel / mushroom                                | transparent  |
| Front ring color  | metallic silver  |
| Collar shape  | round  |
| Operating temperature, min.                                 | -25 °C   |
| Operating temperature, max.                                 | 70 °C  |
| Storage temperature, min.                                   | -40 °C   |
| Storage temperature, max.                                   | 80 °C  |
| illuminated   | Yes  |
| Packaging   | Box  |
| Packaging unit  | 10 pcs.  |
| net weight  | 13.7 g   |
| Operating life  | 1,000,000 cycles   |
| B10   | 1,300,000 cycles   |
| Degree of protection, front side, according to DIN EN 60529 | IP65   |
| Environment resistance                                      | IEC 60068-2-14<br>IEC 60068-2-30<br>IEC 60068-2-33<br>IEC 60068-2-78 |
| MOQ order   | 50 pcs.  |
| RoHS compliant  | Yes  |
| REACH compliant   | Yes  |

### direct links

➤ [RAFI eCatalog](#)

**> mounting diameters**

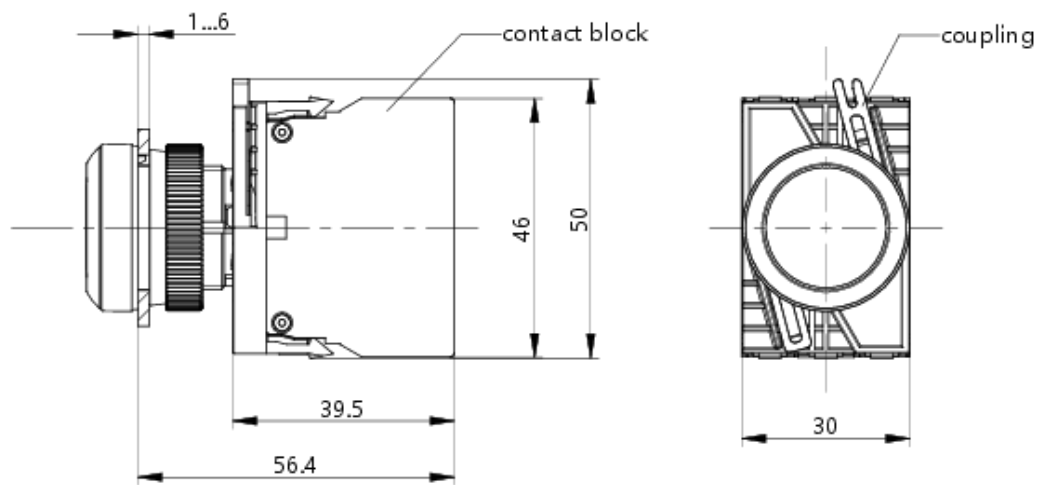
|                           |            |
|---------------------------|------------|
| Outside dimension, length | 29.8 mm    |
| Outside dimension, width  | 29.8 mm    |
| Outside dimension, height | 35.35 mm   |
| Mounting hole             | 22.3 mm    |
| Mounting depth            | 56.4 mm    |
| Installation height       | 12.45 mm   |
| Grid, min.                | 50 x 30 mm |
| Collar dimension          | ø 29,8 mm  |

**> mechanical data**

|                            |                            |
|----------------------------|----------------------------|
| Actuation function         | momentary contact function |
| Operating force, max.      | 100 N                      |
| Operating travel, max.     | 4 mm                       |
| Fixing                     | Threaded ring              |
| Threaded ring torque, max. | 1.2 Nm                     |

**drawings**

**System drawing**



**front panel drawing**

