

# RAFIX 22 FS<sup>+</sup>, pushbutton with protective cap, round collar, momentary contact function, frontring black, bezel slate gray



### fields of application

- > Measurement-control-regulation
- > Electrical engineering
- > Mechanical and system engineering
- > Vehicle construction
- > Handheld terminals
- > Industrial robots

### special features

- > Mounting hole diameter: 22.3 mm according to IEC 60947
- > Mounting depth just 9.2 mm (with PCB switching element) or 27 mm (QC switching element)
- > Min. degree of protection IP65 according to DIN EN 60529
- > 2 collar shapes, round or square
- > Switching elements with silver contacts (max. 250 V/4 A) or gold contacts (max. 35 V/100 mA)
- > The switching elements for printed circuit boards (PCBs) can be combined with other components on a printed circuit board.
- > Switching elements with quick-connect terminal (QC) and LED clip for illumination
- > With the short-travel adapter, compatible with the MICON 5 tactile switch as a switching element
- > Legending on request



## description

RAFIX control devices are defined at RAFI as modular elements, consisting of an actuating element, if necessary a coupling and an individual contact or lighting unit.

Actuating elements (such as pushbuttons, emergency stop actuators, etc.) have the intended tactility, reset and function only when assembled with the appropriate switching elements.

Non-illuminated pushbutton, with protective cap for use in more difficult environmental conditions.

## technical data

### > general

Disassembly possible	no
Bezel color	slate gray
Property of bezel / mushroom	opaque
Front ring color	black

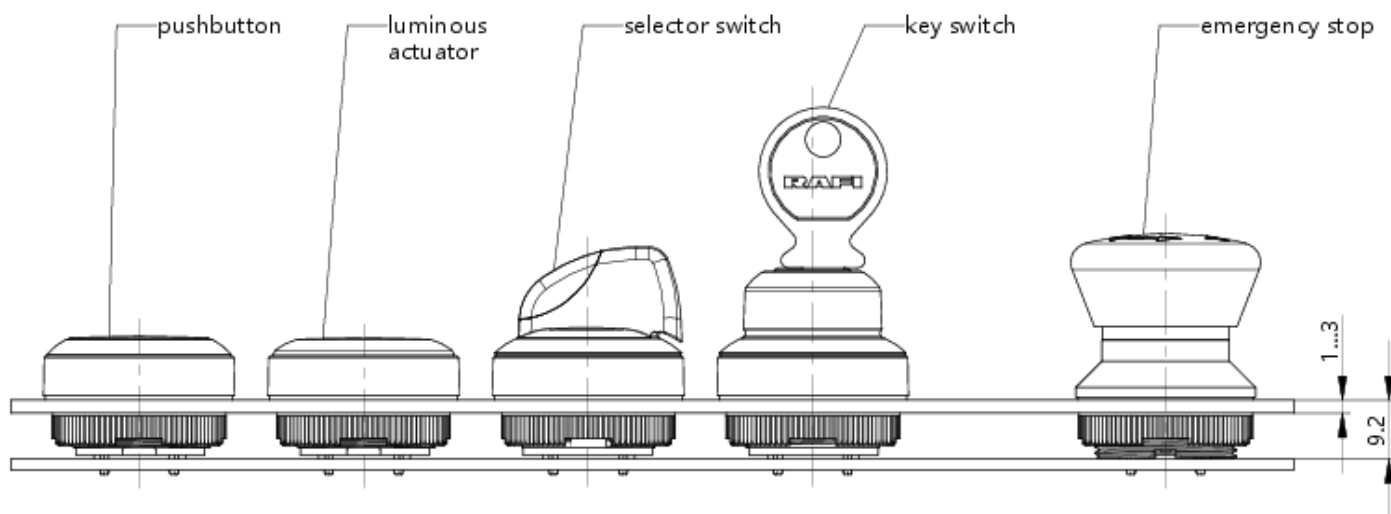
### direct links

- > [RAFI eCatalog](#)

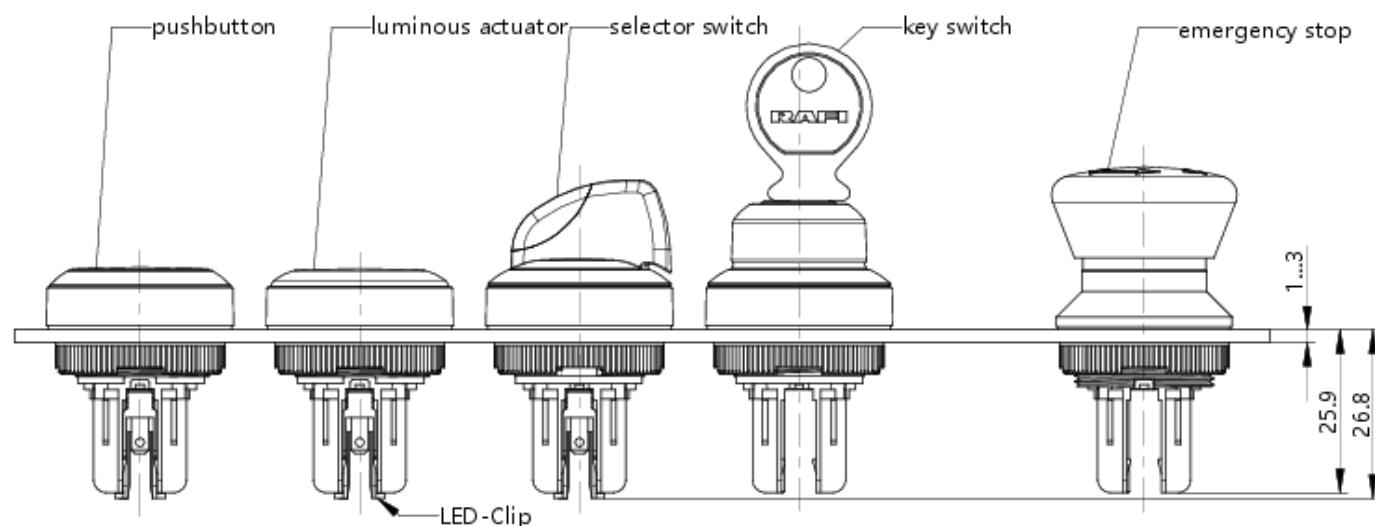
Collar shape	round
Operating temperature, min.	-25 °C
Operating temperature, max.	70 °C
Storage temperature, min.	-40 °C
Storage temperature, max.	80 °C
illuminated	No
Packaging	Box
Packaging unit	10 pcs.
net weight	6.8 g
Operating life	1,000,000 cycles
B10	1,300,000 cycles
Degree of protection, front side, according to DIN EN 60529	IP65
Degree of protection, front side, according to ISO 20653	IP6K9K at 23°C water temperature
UL Enclosure Type Rating front side	type 1 type 4X indoor
Environment resistance	IEC 60068-2-14 IEC 60068-2-30 IEC 60068-2-33 IEC 60068-2-78
Salt-spray resistance according to standard	IEC 60068-2-11
MOQ order	10 pcs.
RoHS compliant	Yes
REACH compliant	Yes
<b>&gt; mounting diameters</b>	
Outside dimension, length	29.8 mm
Outside dimension, width	29.8 mm
Outside dimension, height	20.7 mm
Mounting hole	22.3 mm
Mounting depth	9.2 mm
Installation height	9.85 mm
Grid, min.	30 x 30 mm
Collar dimension	ø 29,8 mm
<b>&gt; mechanical data</b>	
Actuation function	momentary contact function
Operating force, max.	100 N
Operating travel, max.	4 mm
Fixing	Threaded ring
Threaded ring torque, max.	1.2 Nm

**drawings**

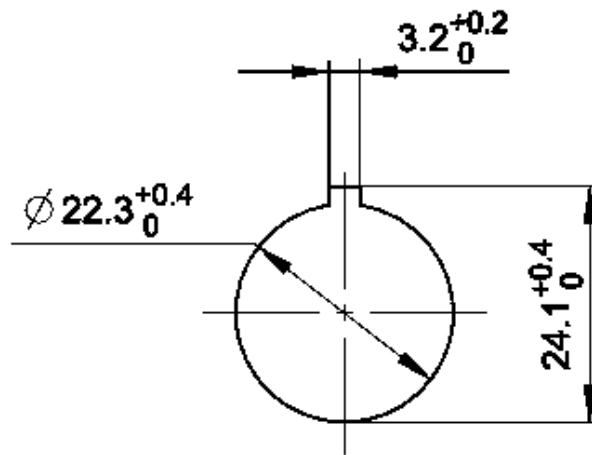
**System drawing**



**System drawing**



**Mounting hole drawing**



acc. to IEC 60947-5-1

**front panel drawing**

