

## RAFIX 22 FS<sup>+</sup>, illuminated pushbutton with protective cap, square collar, momentary contact function, frontring black, bezel red



### fields of application

- › Measurement-control-regulation
- › Electrical engineering
- › Mechanical and system engineering
- › Vehicle construction
- › Handheld terminals
- › Industrial robots

### special features

- › Leuchtdrucktaster mit Schutzkappe
- › Die Schutzkappe verstärkt den Schutz gegen Flüssigkeiten, Schmutz und Spähne.
- › Geringe Einbautiefe 9,2 mm (PCB) bzw. 27 mm (QC)
- › Ideal für die Bedienung mit Handschuhen
- › Anschlussarten: Leiterplattenanschluss (PCB) oder Steckanschluss (QC)
- › Die PCB-Schaltelemente minimieren Montagefehler
- › Schaltelemente mit Silberkontakten (max. 250 V/4 A) oder Goldkontakten (max. 35 V/100 mA)
- › Durch den Kurzhubadapter können MICON 5 Kurzhubtaster als Schaltelement verwendet werden
- › Design-Anpassung durch zwei verschiedene Frontring-Variationen
- › Schutzgrad: IP 65 frontseitig
- › Zwei Bundformen: rund und quadratisch
- › Beleuchtung der Blende mit SMT-LED



## description

RAFIX control devices are defined at RAFI as modular elements, consisting of an actuating element, if necessary a coupling and an individual contact or lighting unit.

Actuating elements (such as pushbuttons, emergency stop actuators, etc.) have the intended tactility, reset and function only when assembled with the appropriate switching elements.

Illuminated pushbutton, with protective cap for use in more difficult environmental conditions.

## technical data

### › general

|                              |             |
|------------------------------|-------------|
| Disassembly possible         | no          |
| Bezel color                  | red         |
| Property of bezel / mushroom | translucent |

|   |  |
|---|--|
| Front ring color  | black  |
| Collar shape  | square   |
| Operating temperature, min.                                 | -25 °C   |
| Operating temperature, max.                                 | 70 °C  |
| Storage temperature, min.                                   | -40 °C   |
| Storage temperature, max.                                   | 80 °C  |
| illuminated   | Yes  |
| Packaging   | Box  |
| Packaging unit  | 10 pcs.  |
| Operating life  | 1,000,000 cycles   |
| B10   | 1,300,000 cycles   |
| Degree of protection, front side, according to DIN EN 60529 | IP65   |
| Degree of protection, front side, according to ISO 20653    | IP6K9K at 23°C water temperature                                     |
| UL Enclosure Type Rating front side                         | type 1<br>type 4X indoor   |
| Environment resistance                                      | IEC 60068-2-14<br>IEC 60068-2-30<br>IEC 60068-2-33<br>IEC 60068-2-78 |
| Salt-spray resistance according to standard                 | IEC 60068-2-11   |
| MOQ order   | 10 pcs.  |
| RoHS compliant  | Yes  |
| REACH compliant   | Yes  |

#### > mounting diameters

|                           |                |
|---------------------------|----------------|
| Outside dimension, length | 29.8 mm        |
| Outside dimension, width  | 29.8 mm        |
| Outside dimension, height | 20.7 mm        |
| Mounting hole             | 22.3 mm        |
| Mounting depth            | 9.2 mm         |
| Installation height       | 9.85 mm        |
| Grid, min.                | 30 x 30 mm     |
| Collar dimension          | 29,8 x 29,8 mm |

#### > mechanical data

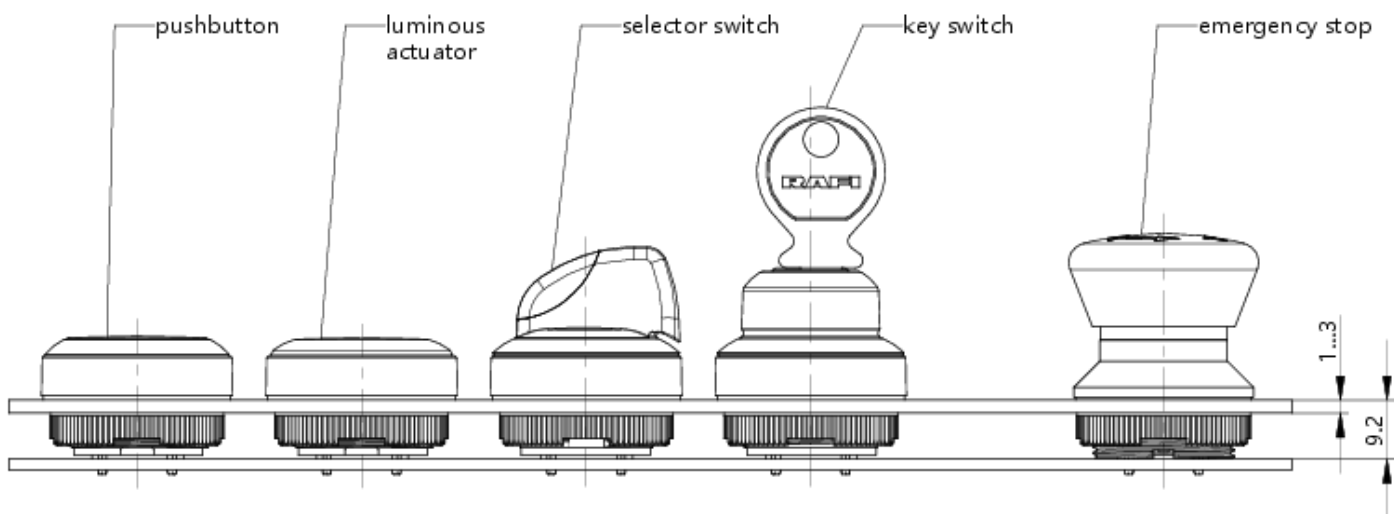
|                            |                            |
|----------------------------|----------------------------|
| Actuation function         | momentary contact function |
| Operating force, max.      | 100 N                      |
| Operating travel, max.     | 4 mm                       |
| Fixing                     | Threaded ring              |
| Threaded ring torque, max. | 1.2 Nm                     |

#### direct links

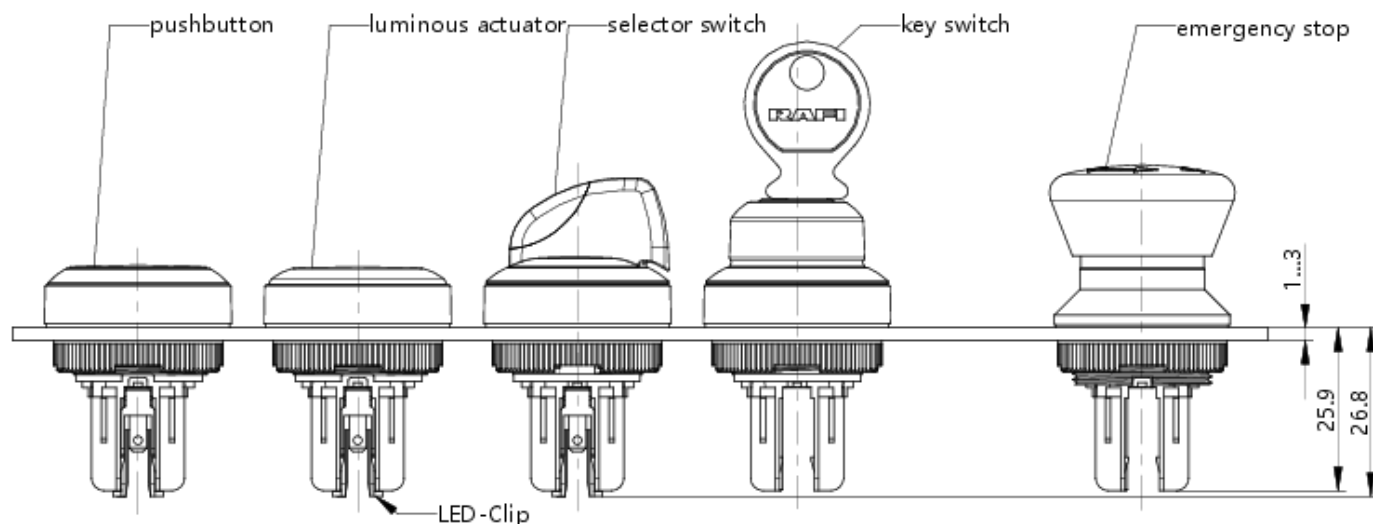
> [RAFI eCatalog](#)

**drawings**

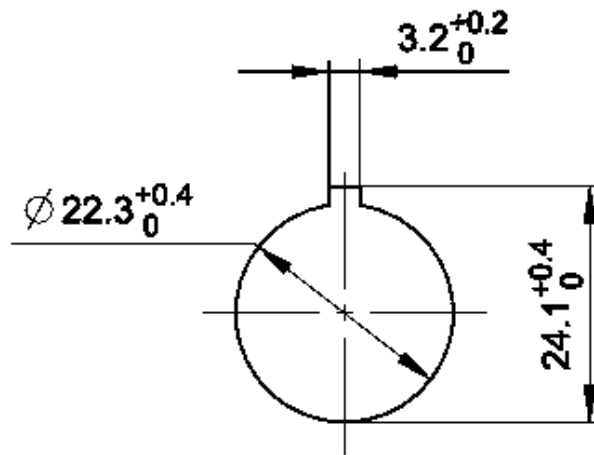
**System drawing**



**System drawing**



**Mounting hole drawing**



acc. to IEC 60947-5-1

**front panel drawing**

