

# RAFIX 22 FS<sup>+</sup>, illuminated pushbutton ring lighting, collar round, momentary contact function, frontring white, bezel black



## fields of application

- > Measurement-control-regulation
- > Electrical engineering
- > Mechanical and system engineering
- > Vehicle construction
- > Handheld terminals
- > Industrial robots

## special features

- > Illuminated pushbutton with ring illumination
- > Illumination of the front ring with SMT LED
- > Colour of lens black
- > Low installation depth 9.2 mm (PCB) or 27 mm (QC)
- > Special tactile feedback
- > Ideal for operation with gloves
- > Connection types: PCB connection (PCB) or plug-in connection (QC)
- > PCB switching elements minimize assembly errors
- > Switching elements with silver contacts (max. 250 V/4 A) or gold contacts (max. 35 V/100 mA)
- > With the short-travel adapter, MICON 5 short-travel keyswitches can be used as switching element
- > Degree of protection: IP 65 on front side



## description

RAFIX control devices are defined at RAFI as modular elements, consisting of an actuating element, if necessary a coupling and an individual contact or lighting unit.

Actuating elements (such as pushbuttons, emergency stop actuators, etc.) have the intended tactility, reset and function only when assembled with the appropriate switching elements.

Illuminated pushbutton with ring illumination. In combination with a corresponding switching element, the outer ring can be fully illuminated.

## technical data

### > general

Disassembly possible	no
Bezel color	black
Property of bezel / mushroom	opaque
Collar color	black

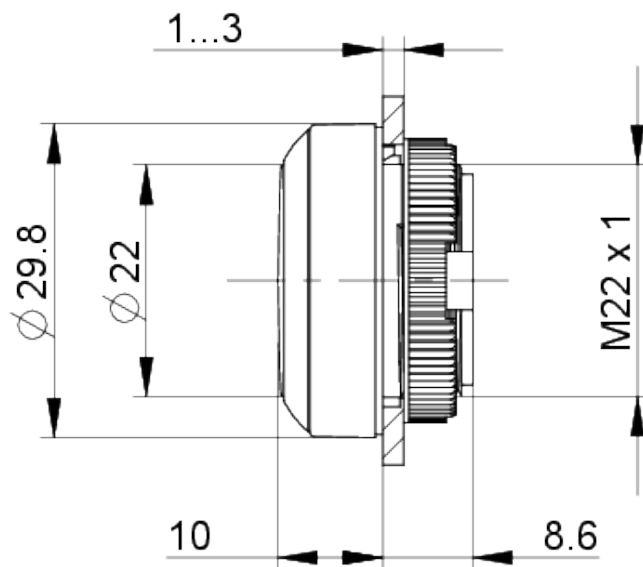
### direct links

- > [RAFI eCatalog](#)

Front ring color	white
Collar shape	round
Operating temperature, min.	-25 °C
Operating temperature, max.	70 °C
Storage temperature, min.	-40 °C
Storage temperature, max.	80 °C
illuminated	Yes
Packaging	Box
Packaging unit	10 pcs.
net weight	7.2 g
Operating life	1,000,000 cycles
B10	1,300,000 cycles
Degree of protection, front side, according to DIN EN 60529	IP65
UL Enclosure Type Rating front side	type 1 type 4X indoor
Environment resistance	IEC 60068-2-14 IEC 60068-2-30 IEC 60068-2-33 IEC 60068-2-78
Salt-spray resistance according to standard	IEC 60068-2-11
MOQ order	10 pcs.
RoHS compliant	Yes
REACH compliant	Yes
<b>&gt; mounting diameters</b>	
Outside dimension, length	29.8 mm
Outside dimension, width	29.8 mm
Outside dimension, height	10 mm
Mounting hole	22.3 mm
Mounting depth	8.5 mm
Installation height	10 mm
Grid, min.	30 mm
<b>&gt; mechanical data</b>	
Actuation function	momentary contact function
Operating torque, max.	1.2 Nm
Operating travel, max.	4 mm
Fixing	Threaded ring

**drawings**

**Dimensioned drawing**



**System drawing**



**System drawing**



**Mounting hole drawing**



acc. to IEC 60947-5-1

front panel drawing

