

## RAFIX 22 FS<sup>+</sup>, FLEXLAB illuminated pushbutton, square collar, latching, frontring yellow



### fields of application

- › Measurement-control-regulation
- › Electrical engineering
- › Mechanical and system engineering
- › Vehicle construction
- › Handheld terminals
- › Industrial robots

### special features

- › Illuminated pushbutton with FLEXLAB technology for easy marking of the bezel
- › Illumination of the bezel with SMT LED
- › Low installation depth 9.2 mm (PCB) or 27 mm (QC)
- › Special tactile feedback
- › Ideal for operation with gloves
- › Connection types: printed circuit board connection (PCB) or plug-in connection (QC)
- › PCB switching elements minimize assembly errors
- › Switching elements with silver contacts (max. 250 V/4 A) or gold contacts (max. 35 V/100 mA)
- › The tactile switch adapter allows MICON 5 tactile switches to be used as switching elements
- › Various actuating and indicating elements with different variants
- › Degree of protection: IP 65 at the front
- › Two collar shapes: round and square



### description

RAFIX control devices are defined at RAFI as modular elements, consisting of an actuating element, if necessary a coupling and an individual contact or lighting unit.

Actuating elements (such as pushbuttons, emergency stop actuators, etc.) have the intended tactility, reset and function only when assembled with the appropriate switching elements.

Pushbutton with translucent bezel. In combination with a corresponding switching element, the bezel can be fully illuminated.

The RAFIX FS+ FLEXLAB pushbutton gives the user the opportunity to individually label control components. Standard legending is offered for this. Alternatively, we offer a DIN A4 labelling sheet complete with pre-punched labels that can be printed using commercially available office laser printers. After printing, the legend inserts can be removed from the sheet and then inserted into the colour bezel with the help of the fine retaining lugs.

## technical data

### > general

|   |  |
|---|--|
| Disassembly possible  | no   |
| Front ring color  | yellow   |
| Collar shape  | square   |
| Operating temperature, min.                                 | -25 °C   |
| Operating temperature, max.                                 | 70 °C  |
| Storage temperature, min.                                   | -40 °C   |
| Storage temperature, max.                                   | 80 °C  |
| illuminated   | Yes  |
| Packaging   | Box  |
| Packaging unit  | 10 pcs.  |
| net weight  | 7.8 g  |
| Operating life  | 500,000 cycles   |
| B10   | 650,000 cycles   |
| Degree of protection, front side, according to DIN EN 60529 | IP65   |
| UL Enclosure Type Rating front side                         | type 1<br>type 4X indoor   |
| Environment resistance                                      | IEC 60068-2-14<br>IEC 60068-2-30<br>IEC 60068-2-33<br>IEC 60068-2-78 |
| Salt-spray resistance according to standard                 | IEC 60068-2-11   |
| MOQ order   | 10 pcs.  |
| RoHS compliant  | Yes  |
| REACH compliant   | Yes  |

### > mounting diameters

|                           |                |
|---------------------------|----------------|
| Outside dimension, length | 29.8 mm        |
| Outside dimension, width  | 29.8 mm        |
| Outside dimension, height | 18.5 mm        |
| Mounting hole             | 22.3 mm        |
| Mounting depth            | 9.2 mm         |
| Installation height       | 9.85 mm        |
| Grid, min.                | 30 x 30 mm     |
| Collar dimension          | 29,8 x 29,8 mm |

### > mechanical data

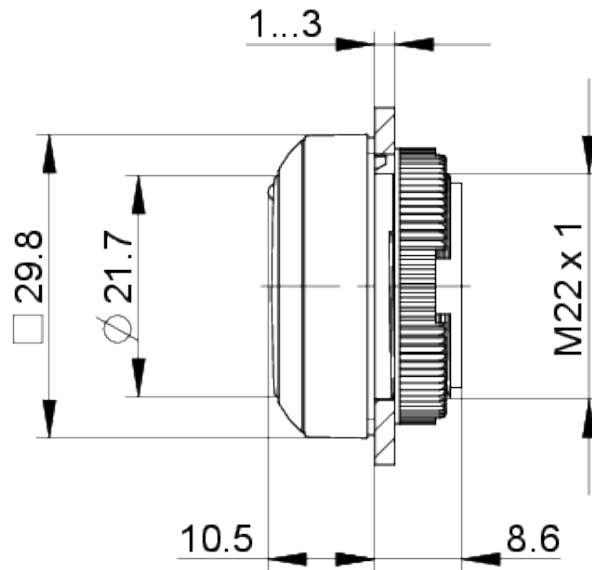
|                            |               |
|----------------------------|---------------|
| Actuation function         | latching      |
| Operating force, max.      | 100 N         |
| Operating travel, max.     | 4 mm          |
| Fixing                     | Threaded ring |
| Threaded ring torque, max. | 1.2 Nm        |

### direct links

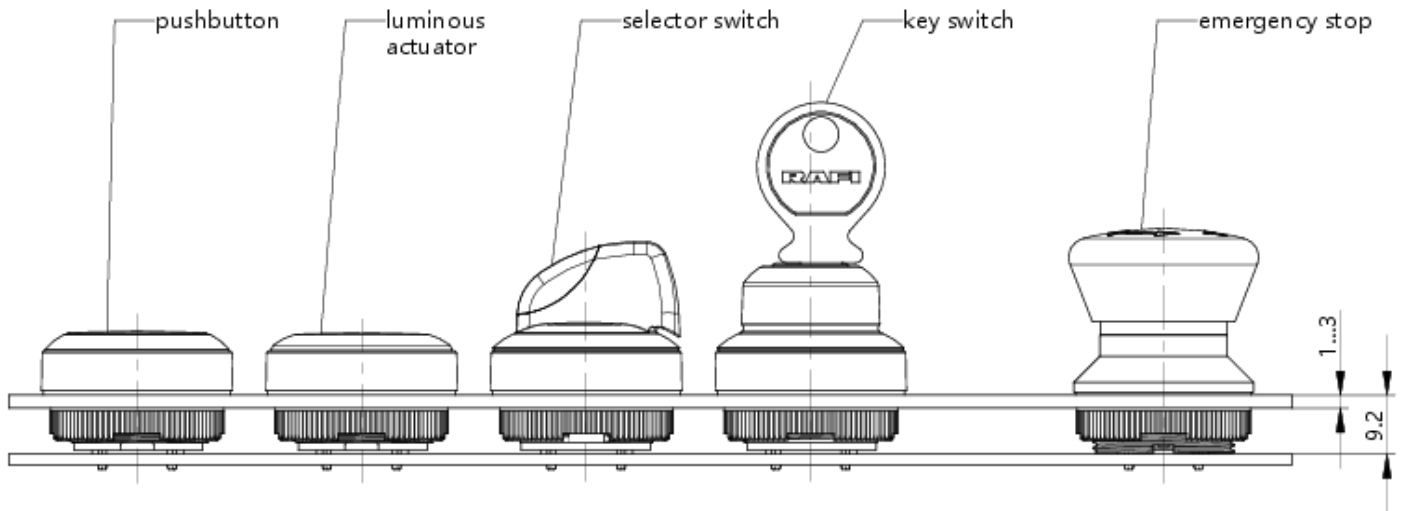
> [RAFI eCatalog](#)

**drawings**

**Dimensioned drawing**



**System drawing**



**System drawing**



**Mounting hole drawing**



acc. to IEC 60947-5-1

front panel drawing

