

## RAFIX 22 FS<sup>+</sup>, illuminated selector switch, round collar, frontring metallic silver, 2 x 40°, momentary contact function, illuminable



### fields of application

- › Measurement-control-regulation
- › Electrical engineering
- › Mechanical and system engineering
- › Vehicle construction
- › Handheld terminals
- › Industrial robots

### special features

- › Illumination of the rotary handle marking with SMT LED
- › Colored illumination with colored LEDs possible
- › Low installation depth 9.2 mm (PCB) or 27 mm (QC)
- › Connection types: printed circuit board connection (PCB) or plug-in connection (QC)
- › PCB switching elements minimize mounting errors
- › Switching elements with silver contacts (max. 250 V/4 A) or gold contacts (max. 35 V/100 mA)
- › Design adaptation through different front ring variations
- › Degree of protection: IP 65 at the front
- › Two collar shapes: round and square



### description

RAFIX control devices are defined at RAFI as modular elements, consisting of an actuating element, if necessary a coupling and an individual contact or lighting unit.

Actuating elements (such as pushbuttons, emergency stop actuators, etc.) have the intended tactility, reset and function only when assembled with the appropriate switching elements.

The translucent handle marking can be illuminated if combined with a corresponding switching element.

For colored illumination of the handle marking, please use colored LEDs.

### technical data

#### › general

|                             |                 |
|-----------------------------|-----------------|
| Disassembly possible        | no              |
| Front ring color            | metallic silver |
| Collar shape                | round           |
| Operating temperature, min. | -25 °C          |

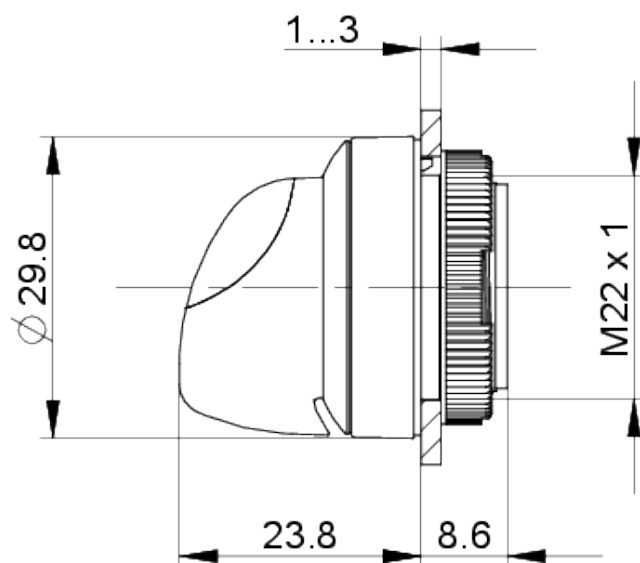
#### direct links

- › [RAFI eCatalog](#)

|  |  |
|--|--|
| Operating temperature, max.                                    | 70 °C  |
| Storage temperature, min.                                      | -40 °C   |
| Storage temperature, max.                                      | 80 °C  |
| illuminated  | Yes  |
| Packaging  | Box  |
| Packaging unit   | 10 pcs.  |
| net weight   | 10 g   |
| Operating life   | 500,000 cycles   |
| B10  | 650,000 cycles   |
| Degree of protection, front side,<br>according to DIN EN 60529 | IP65   |
| UL Enclosure Type Rating front<br>side                         | type 1<br>type 4X indoor   |
| Environment resistance   | IEC 60068-2-14<br>IEC 60068-2-30<br>IEC 60068-2-33<br>IEC 60068-2-78 |
| Salt-spray resistance according to<br>standard                 | IEC 60068-2-11   |
| MOQ order  | 10 pcs.  |
| RoHS compliant   | Yes  |
| REACH compliant  | Yes  |
| <b>&gt; mounting diameters</b>                                 |  |
| Outside dimension, length                                      | 29.8 mm  |
| Outside dimension, width                                       | 29.8 mm  |
| Outside dimension, height                                      | 32.4 mm  |
| Mounting hole  | 22.3 mm  |
| Mounting depth   | 9.2 mm   |
| Installation height  | 22.24 mm   |
| Grid, min.   | 30 x 30 mm   |
| Collar dimension   | ø 29,8 mm  |
| <b>&gt; mechanical data</b>                                    |  |
| Actuation function   | momentary contact function   |
| Operating torque, max.   | 1.5 Nm   |
| Rotating angle   | 2 x 40°  |
| Fixing   | Threaded ring  |
| Threaded ring torque, max.                                     | 1.2 Nm   |

**drawings**

**Dimensioned drawing**



**System drawing**



**System drawing**



**Mounting hole drawing**



acc. to IEC 60947-5-1

front panel drawing

