

# RAFIX 22 FS<sup>+</sup>, mushroom pushbutton, latching, Mushroom head black



## fields of application

- › Measurement-control-regulation
- › Electrical engineering
- › Mechanical and system engineering
- › Vehicle construction
- › Handheld terminals
- › Industrial robots

## special features

- › Low mounting depth 9.2 mm (PCB) or 27 mm (QC)
- › Connection types: printed circuit board connection (PCB) or plug-in connection (QC)
- › PCB switching elements minimize mounting errors
- › Degree of protection: IP 65 at the front



## description

RAFIX control devices are defined at RAFI as modular elements, consisting of an actuating element, if necessary a coupling and an individual contact or lighting unit.

Actuating elements (such as pushbuttons, emergency stop actuators, etc.) have the intended tactility, reset and function only when assembled with the appropriate switching elements.

The shape and function of the mushroom pushbutton correspond to those of an emergency stop, but has no red actuator (mushroom) and no yellow collar.

Only use with the emergency stop switching element.

The mushroom pushbutton Plus 1 must be used with the emergency stop Plus 1 switching elements (PCB: 1.20.126.414/0000 or QC: 1.20.126.514/0000).

The illuminated version is illuminated through a central round window.

## technical data

### › general

Disassembly possible	no
Color of mushroom	black
Legending color	white
Property of bezel / mushroom	opaque
Collar color	black
Collar shape	round
Operating temperature, min.	-25 °C
Operating temperature, max.	70 °C
Storage temperature, min.	-40 °C
Storage temperature, max.	80 °C

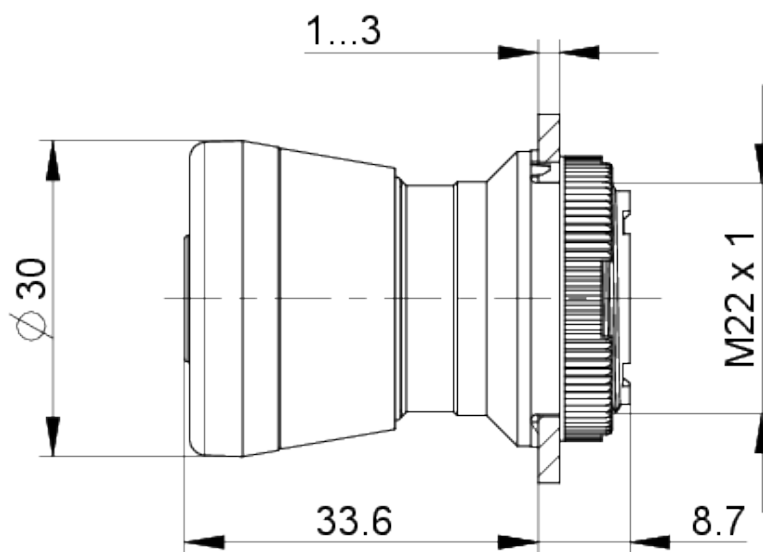
### direct links

- › [RAFI eCatalog](#)

illuminated	No
Packaging	Box
Packaging unit	2 pcs.
net weight	17 g
Operating life	50,000 cycles
B10	65,000 cycles
Degree of protection, front side, according to DIN EN 60529	IP65
UL Enclosure Type Rating front side	type 1 type 4X indoor
Environment resistance	IEC 60068-2-14 IEC 60068-2-30 IEC 60068-2-33 IEC 60068-2-78
Salt-spray resistance according to standard	IEC 60068-2-11
MOQ order	10 pcs.
RoHS compliant	Yes
REACH compliant	Yes
<b>&gt; mounting diameters</b>	
Outside dimension, length	29.8 mm
Outside dimension, width	29.8 mm
Outside dimension, height	42.1 mm
Mounting hole	22.3 mm
Mounting depth	9.2 mm
Installation height	33.2 mm
Grid, min.	35 x 35 mm
Collar dimension	ø 29,8 mm
<b>&gt; mechanical data</b>	
Actuation function	latching
Operating force, max.	100 N
Resetting	by rotating
Fixing	Threaded ring
Threaded ring torque, max.	1.2 Nm

**drawings**

**Dimensioned drawing**



**System drawing**



**System drawing**



**Mounting hole drawing**



acc. to IEC 60947-5-1

front panel drawing

