

## RAFIX 30 FS<sup>+</sup>, illuminated selector switch, round collar, frontring stainless steel, 1 x 40°, momentary contact function, illuminable



### fields of application

- › Measurement-control-regulation
- › Electrical engineering
- › Mechanical and system engineering
- › Vehicle construction
- › Industrial robots

### special features

- › Beleuchtung der der Drehgriffmarkierung mit SMT-LED
- › Farbige Ausleuchtung mit farbigen LEDs möglich
- › Formschöner Frontring aus Edelstahl
- › Geringe Einbautiefe 15,7 mm (PCB) bzw. 33,3 mm (QC)
- › Anschlussarten: Leiterplattenanschluss (PCB) oder Steckanschluss (QC)
- › Die PCB-Schaltelemente minimieren Montagefehler
- › Schaltelemente mit Silberkontakten (max. 250 V/4 A) oder Goldkontakten (max. 35 V/100 mA)
- › Durch den Kurzhubadapter können MICON 5 Kurzhubtaster als Schaltelement verwendet werden
- › Schutzgrad: IP 65 frontseitig



### description

RAFIX control devices are defined at RAFI as modular elements, consisting of an actuating element, if necessary a coupling and an individual contact or lighting unit.

Actuating elements (such as pushbuttons, emergency stop actuators, etc.) have the intended tactility, reset and function only when assembled with the appropriate switching elements.

The translucent handle marking can be illuminated if combined with a corresponding switching element.

For colored illumination of the handle marking, please use colored LEDs.

### technical data

#### › general

Disassembly possible	no
Front ring color	stainless steel
Collar shape	round
Operating temperature, min.	-25 °C

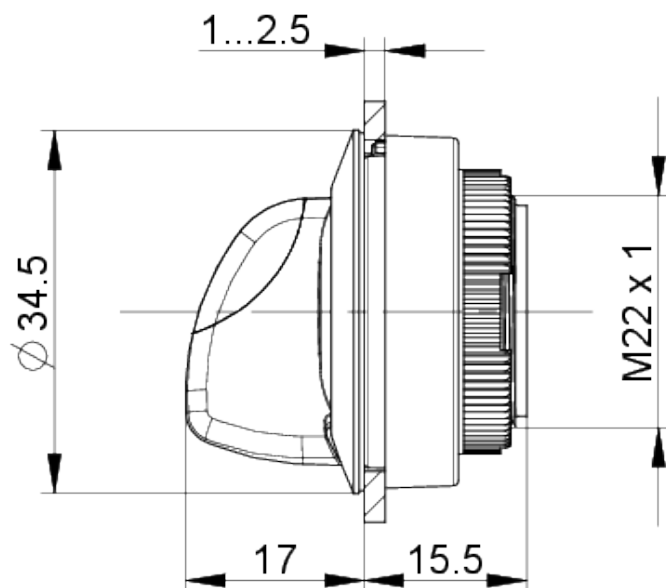
#### direct links

- › [RAFI eCatalog](#)

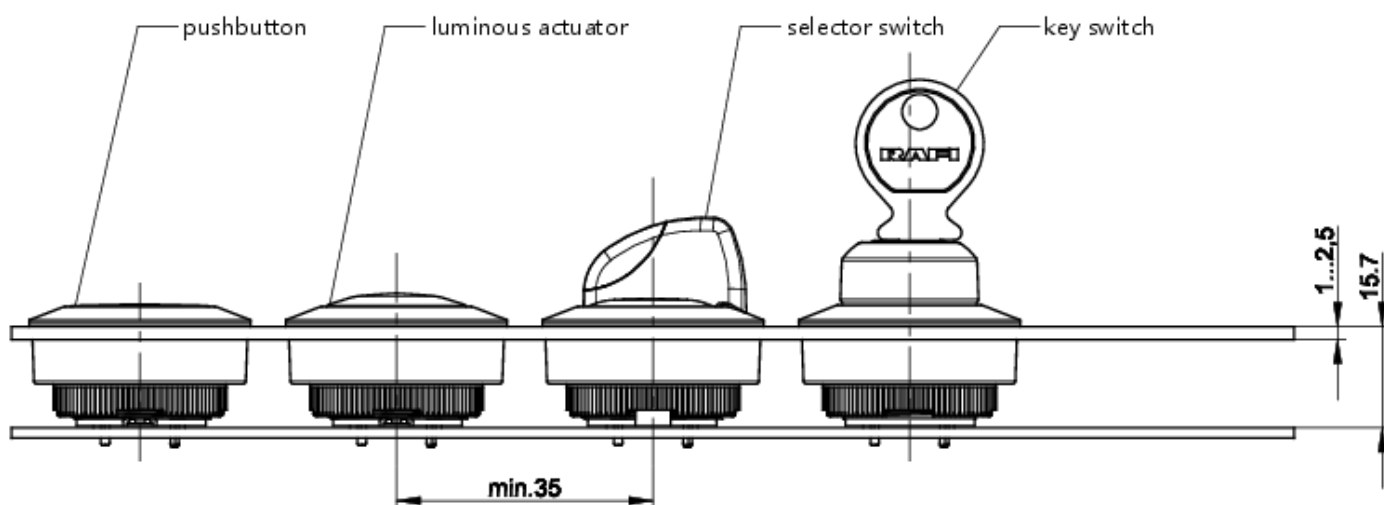
Operating temperature, max.	70 °C
Storage temperature, min.	-40 °C
Storage temperature, max.	80 °C
illuminated	Yes
Packaging	Box
Packaging unit	10 pcs.
net weight	18.4 g
Operating life	500,000 cycles
B10	650,000 cycles
Degree of protection, front side, according to DIN EN 60529	IP65
UL Enclosure Type Rating front side	type 1 type 4X indoor
Environment resistance	IEC 60068-2-14 IEC 60068-2-30 IEC 60068-2-33 IEC 60068-2-78
Salt-spray resistance according to standard	IEC 60068-2-11
MOQ order	10 pcs.
RoHS compliant	Yes
REACH compliant	Yes
<b>&gt; mounting diameters</b>	
Outside dimension, length	34.5 mm
Outside dimension, width	34.5 mm
Outside dimension, height	32.5 mm
Mounting hole	30.3 mm
Mounting depth	15.7 mm
Installation height	17.43 mm
Grid, min.	35 x 35 mm
Collar dimension	ø 34,5 mm
<b>&gt; mechanical data</b>	
Actuation function	momentary contact function
Operating torque, max.	1.5 Nm
Rotating angle	1 x 40°
Fixing	Threaded ring
Threaded ring torque, max.	1.2 Nm

**drawings**

**Dimensioned drawing**



**System drawing**



**Mounting hole drawing**