

## RAFIX 30 FS<sup>+</sup>, keylock switch, round collar, frontring stainless steel, key removal position 0+1



### fields of application

- > Measurement-control-regulation
- > Electrical engineering
- > Mechanical and system engineering
- > Vehicle construction
- > Industrial robots

### special features

- > Schlüsselschalter Standard
- > Formschöner Frontring aus Edelstahl
- > Geringe Einbautiefe 15,7 mm (PCB) bzw. 33,3 mm (QC)
- > Durch den Kurzhubadapter können MICON 5 Kurzhubtaster als Schaltelement verwendet werden
- > Anschlussarten: Leiterplattenanschluss (PCB) oder Steckanschluss (QC)
- > Die PCB-Schaltelemente minimieren Montagefehler
- > Schaltelemente mit Silberkontakten (max. 250 V/4 A) oder Goldkontakten (max. 35 V/100 mA)
- > Schutzgrad: IP 65 frontseitig



## description

RAFIX control devices are defined at RAFI as modular elements, consisting of an actuating element, if necessary a coupling and an individual contact or lighting unit.

Actuating elements (such as pushbuttons, emergency stop actuators, etc.) have the intended tactility, reset and function only when assembled with the appropriate switching elements.

The locking systems we use were created according to the DIN EN 1303 standard by well-known lock manufacturers. They are open, mechanical systems which, depending on the environmental conditions, require occasional maintenance (e.g. greasing & oiling) by the machine or system operator.

The locking systems we use have been created by reputable lock manufacturers in accordance with the DIN EN 1303 standard. They are open, mechanical systems that require occasional maintenance by the operator depending on the ambient conditions.

Further locking positions or functions are available on request.

## technical data

### > general

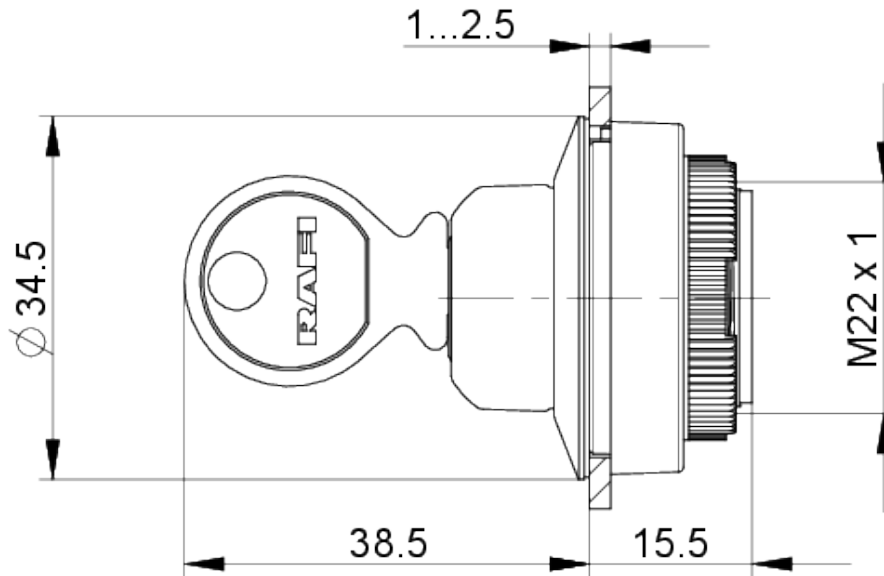
Disassembly possible	no
Scope of delivery	2 keys
Front ring color	stainless steel

Collar shape	round
Operating temperature, min.	-25 °C
Operating temperature, max.	70 °C
Storage temperature, min.	-40 °C
Storage temperature, max.	80 °C
illuminated	No
Packaging	Box
Packaging unit	2 pcs.
net weight	36.7 g
Operating life	50,000 cycles
B10	65,000 cycles
Degree of protection, front side, according to DIN EN 60529	IP65
UL Enclosure Type Rating front side	type 1 type 4X indoor
Environment resistance	IEC 60068-2-14 IEC 60068-2-30 IEC 60068-2-33 IEC 60068-2-78
Salt-spray resistance according to standard	IEC 60068-2-11
MOQ order	10 pcs.
RoHS compliant	Yes
REACH compliant	Yes
<b>&gt; mounting diameters</b>	
Outside dimension, length	34.5 mm
Outside dimension, width	34.5 mm
Outside dimension, height	29.2 mm
Mounting hole	30.3 mm
Mounting depth	15.7 mm
Installation height	13.7 mm
Grid, min.	35 x 35 mm
Collar dimension	ø 34,5 mm
<b>&gt; mechanical data</b>	
Operating torque, max.	1.3 Nm
Key removal position	0+1
Fixing	Threaded ring
Threaded ring torque, max.	1.2 Nm

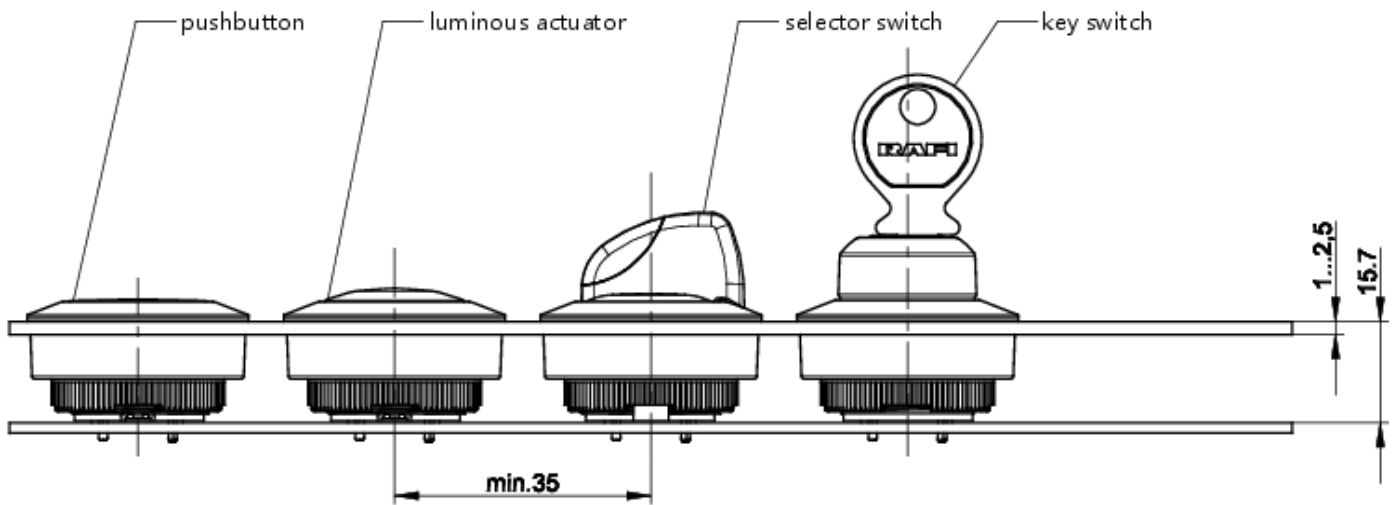
**direct links**
[> RAFI eCatalog](#)

**drawings**

**Dimensioned drawing**



**System drawing**



**Mounting hole drawing**