

## RAFIX 30 FS<sup>+</sup>, USB feed-through, round collar, frontring stainless steel



### fields of application

- › Measurement-control-regulation
- › Electrical engineering
- › Mechanical and system engineering
- › Vehicle construction
- › Industrial robots

### special features

- › USB feed-through e.g. through front panels
- › USB 2.0 type A at the front, USB 2.0 type B at the back
- › Sealing cap for protection class IP 65 front side



### description

RAFIX control devices are defined at RAFI as modular elements, consisting of an actuating element, if necessary a coupling and an individual contact or lighting unit.

Actuating elements (such as pushbuttons, emergency stop actuators, etc.) have the intended tactility, reset and function only when assembled with the appropriate switching elements.

The USB feed-through guarantees a stable installation of an easily-accessible USB slot in the front panels of control units and IPCs. Items that can be inserted into this slot include service keyboards or USB sticks in order to perform software updates. Commercially available USB cables of various lengths with type-B plugs can be used for the connection on the rear.

The slot is protected by a sealing cap and this cap ensures IP 65 degree of protection. The feed-through is simply installed by inserting it through the assembly hole from the front and then using a threaded ring on the rear side to fix it into place. The mounting depth is 27.7 mm. The customer can freely choose the front ring color of the USB feed-through so that it matches the design requirements.

USB 2.0

Terminal: USB type A on the front, USB type B on the rear

### technical data

#### › general

Front ring color	stainless steel
Collar shape	round
Operating temperature, min.	-25 °C
Operating temperature, max.	70 °C
Storage temperature, min.	-40 °C
Storage temperature, max.	80 °C
illuminated	No
Packaging	Box
Packaging unit	2 pcs.
net weight	18.4 g

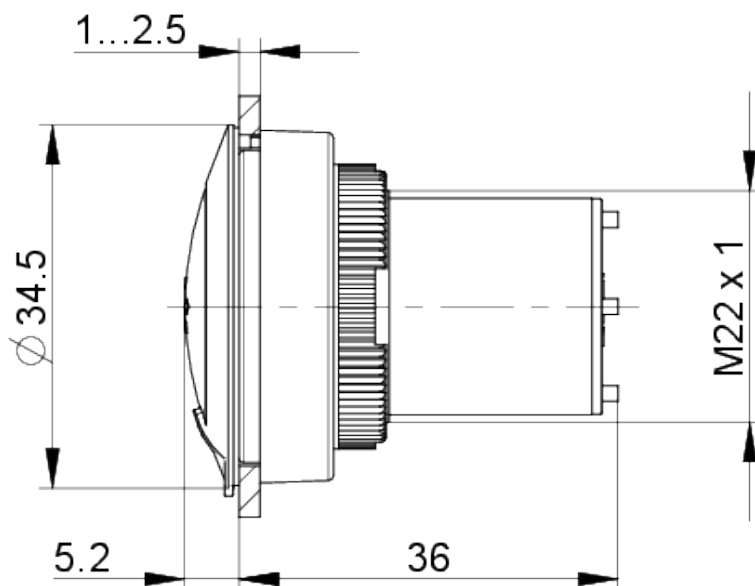
#### direct links

- › [RAFI eCatalog](#)

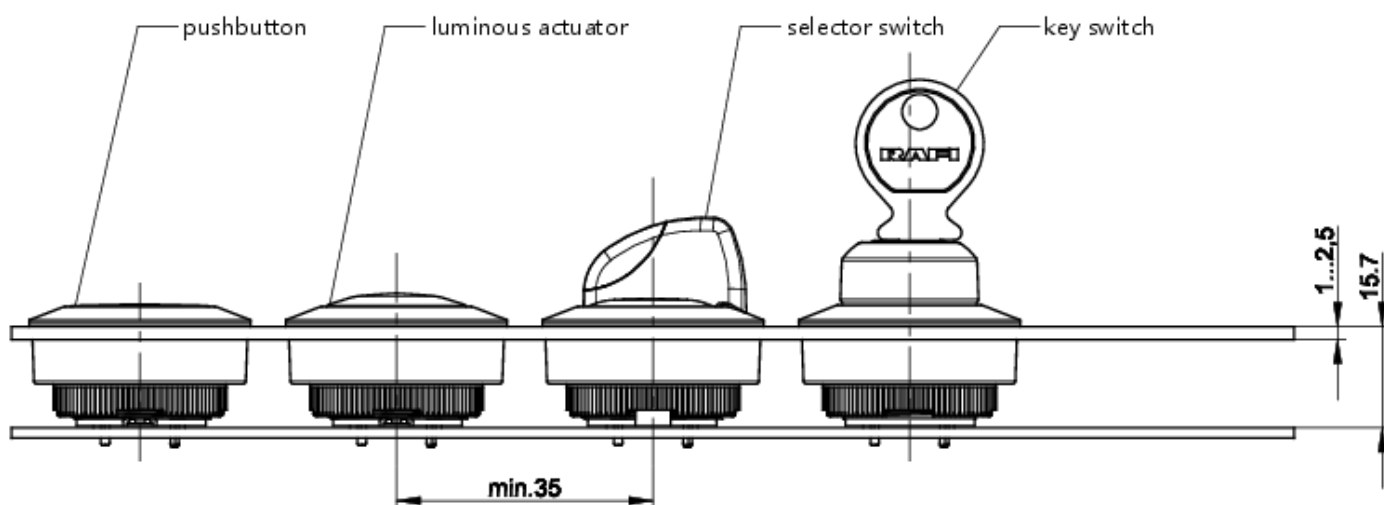
Degree of protection, front side, according to DIN EN 60529	IP65
UL Enclosure Type Rating front side	type 1 type 4X indoor
Environment resistance	IEC 60068-2-14 IEC 60068-2-30 IEC 60068-2-33 IEC 60068-2-78
MOQ order	10 pcs.
RoHS compliant	Yes
REACH compliant	Yes
<b>&gt; mounting diameters</b>	
Outside dimension, length	34.5 mm
Outside dimension, width	34.5 mm
Outside dimension, height	41.5 mm
Mounting hole	30.3 mm
Mounting depth	35.5 mm
Installation height	5.17 mm
Grid, min.	35 x 35 mm
Collar dimension	ø 34,5 mm
<b>&gt; mechanical data</b>	
Fixing	Threaded ring
Threaded ring torque, max.	1.2 Nm

**drawings**

**Dimensioned drawing**



**System drawing**



**Mounting hole drawing**

