

Signal lamp with lamp socket, E 10, 16.2 mm, housing, screw terminal, 250 Volt, Nickel-plated screw terminal



fields of application

- > Measurement-control-regulation
- > Electrical engineering
- > Mechanical and system engineering
- > Signalling systems
- > Model construction



description

Signal lamps for LEDs or filament/neon lamps with E 10 socket, mounting hole diameter 16.2 mm

technical data

> general

Bezel shape	round
illuminated	Yes
Lamp socket	E 10
Packaging unit	10 pcs.
net weight	7.8 g
Degree of protection, front side, according to DIN EN 60529	IP40
MOQ order	100 pcs.
RoHS compliant	Yes
REACH compliant	Yes

direct links

> [RAFI eCatalog](#)

> mounting diameters

Mounting hole	16.2 mm
Mounting depth	41.5 mm
Collar dimension	20 mm

> mechanical data

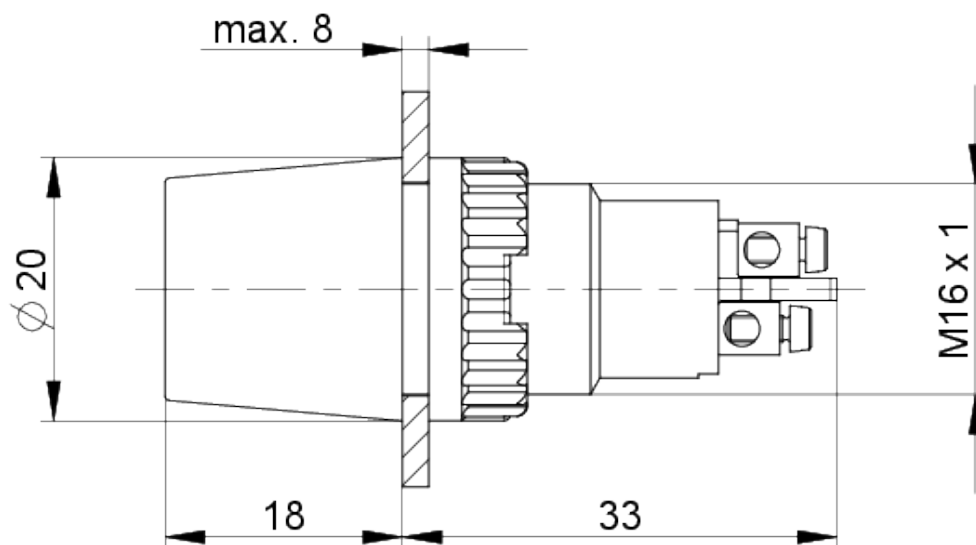
Fixing	Threaded ring
Terminal on the rear	Nickel-plated screw terminal

> electrical data

Operating voltage of the luminous element, max.	250 V
---	-------

drawings

Dimensioned drawing



Mounting hole drawing

