

RAFIX 16 F, signal indicator, flat bezel, square collar, bezel transparent



fields of application

- › Measurement-control-regulation
- › Electrical engineering
- › Mechanical and system engineering
- › Vehicle construction

special features

- › Lighting attachment in 2 waistband shapes
- › illumination with LED or incandescent lamp
- › Degree of protection: IP 65 at the front
- › Separate snap-on lamp socket required



description

RAFIX command devices are modular units consisting of several parts. In the RAFIX 16 F product family, these always consist of an actuating element and a switching element, or an indicator lamp and a lamp socket. Actuating elements (such as pushbuttons or emergency stop actuators) have the specified tactility, reset and function only when assembled with the appropriate switching elements. For illuminated actuators, please use switching elements with lamp socket.

For RAFIX 16F actuators, you can choose between two collar shapes: round and square. Both are characterized by an extremely flat design. The round collar shape has an anti-rotation lug that can be easily removed with a screwdriver if necessary. The square actuators can be placed collar to collar to create a closed keypad.

technical data

› general

Bezel color	transparent
Property of bezel / mushroom	transparent
Collar color	black
Collar shape	square
Operating temperature, min.	-25 °C
Operating temperature, max.	55 °C
Storage temperature, min.	-40 °C
Storage temperature, max.	85 °C
illuminated	Yes
Packaging	Box
Packaging unit	10 pcs.
net weight	3.7 g
Degree of protection, front side, according to DIN EN 60529	IP65
Environment resistance	IEC 60068-2-14 IEC 60068-2-30

direct links

- › [RAFI eCatalog](#)

IEC 60068-2-33

IEC 60068-2-78

MOQ order 10 pcs.

RoHS compliant Yes

REACH compliant Yes

> mounting diameters

Outside dimension, length 24.9 mm

Outside dimension, width 24.9 mm

Outside dimension, height 26.2 mm

Mounting hole 23.1 mm

Mounting depth 50 mm

Installation height 1.7 mm

Grid, min. 30 x 30 mm

Collar dimension 24,9 x 24,9 mm

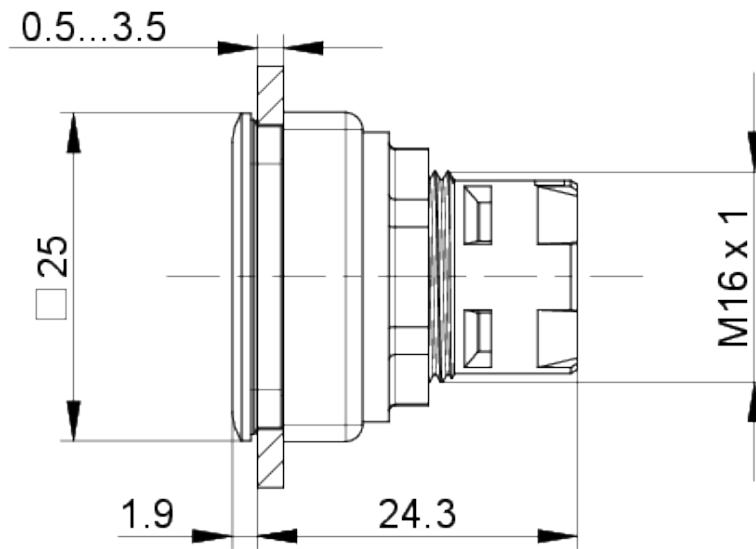
> mechanical data

Fixing Threaded ring

Threaded ring torque, max. 1.2 Nm

drawings

Dimensioned drawing



Mounting hole drawing

