

# Signal lamp with integrated neon lamp, 10 mm, round bezel, 230 Volt, bezel yellow, Flat quick-connect terminal 2.8 x 0.8 tin-plated



## fields of application

- > Measurement-control-regulation
- > Electrical engineering
- > Mechanical and system engineering
- > Signalling systems
- > Model construction

## special features

- > Three shapes: round, square or arrow-shaped
- > Integrated luminous element
- > Filament lamp, 28 V, color: yellow
- > Neon lamp, 230 V, color: red
- > Luminous element neon lamp, 230 V, color: green or blue



## description

Signal lamps with integrated filament lamp, neon lamp or luminous element neon lamp, mounting hole diameter 10 mm

## technical data

### > general

Bezel color	yellow
Property of bezel / mushroom	transparent
Bezel shape	round
illuminated	Yes
Packaging unit	10 pcs.
net weight	2.1 g
Degree of protection, front side, according to DIN EN 60529	IP40
MOQ order	50 pcs.
RoHS compliant	Yes
REACH compliant	Yes

### direct links

> [RAFI eCatalog](#)

### > mounting diameters

Mounting hole	10 mm
Mounting depth	30 mm
Installation height	3 mm
Collar dimension	12.5 mm

### > mechanical data

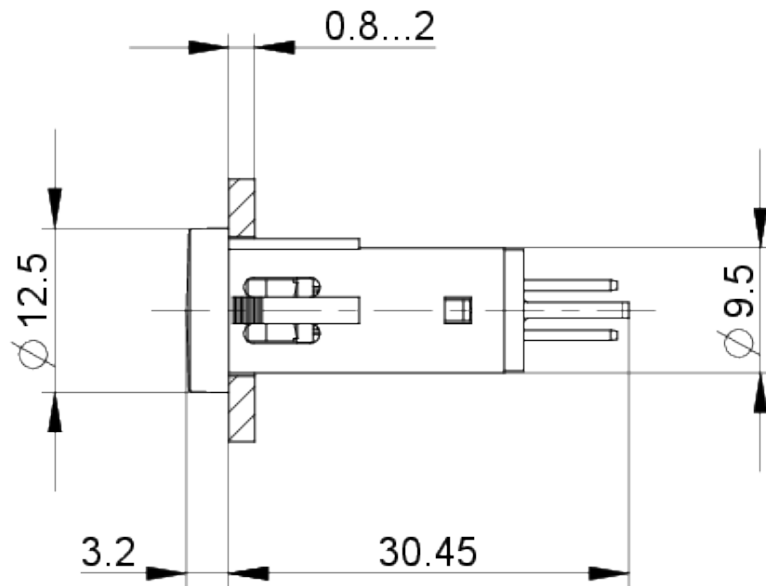
Fixing	Pushing into mounting hole
Solderability	Yes
Terminal on the rear	Flat quick-connect terminal 2.8 x 0.8 tin-plated

### > electrical data

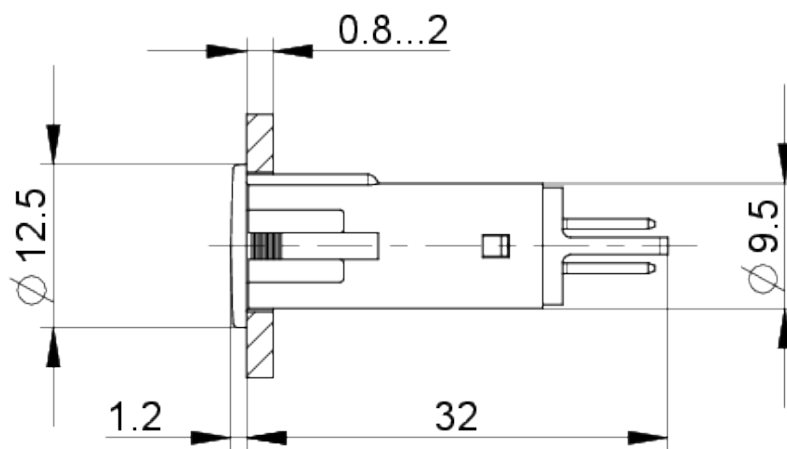
Operating voltage of the luminous element, max.	230 V
-------------------------------------------------	-------

**drawings**

**Dimensioned drawing**



**Dimensioned drawing**



**Mounting hole drawing**

