

Signal lamp with integrated neon lamp, 10 mm, arrow-shaped bezel, 230 Volt, bezel transparent, Flat quick-connect terminal 2.8 x 0.8 tin-plated



fields of application

- › Measurement-control-regulation
- › Electrical engineering
- › Mechanical and system engineering
- › Signalling systems
- › Model construction

special features

- › Three shapes: round, square or arrow-shaped
- › Integrated luminous element
- › Filament lamp, 28 V, color: yellow
- › Neon lamp, 230 V, color: red
- › Luminous element neon lamp, 230 V, color: green or blue

description

Signal lamps with integrated filament lamp, neon lamp or luminous element neon lamp, mounting hole diameter 10 mm

technical data

› general

Bezel color	transparent
Property of bezel / mushroom	transparent
Bezel shape	arrow-shaped
illuminated	Yes
Packaging unit	10 pcs.
net weight	2.6 g
Degree of protection, front side, according to DIN EN 60529	IP40
MOQ order	50 pcs.
RoHS compliant	Yes
REACH compliant	Yes

› mounting diameters

Mounting hole	10 mm
Mounting depth	30 mm
Installation height	3 mm

› mechanical data

Fixing	Pushing into mounting hole
Solderability	Yes
Terminal on the rear	Flat quick-connect terminal 2.8 x 0.8 tin-plated

direct links

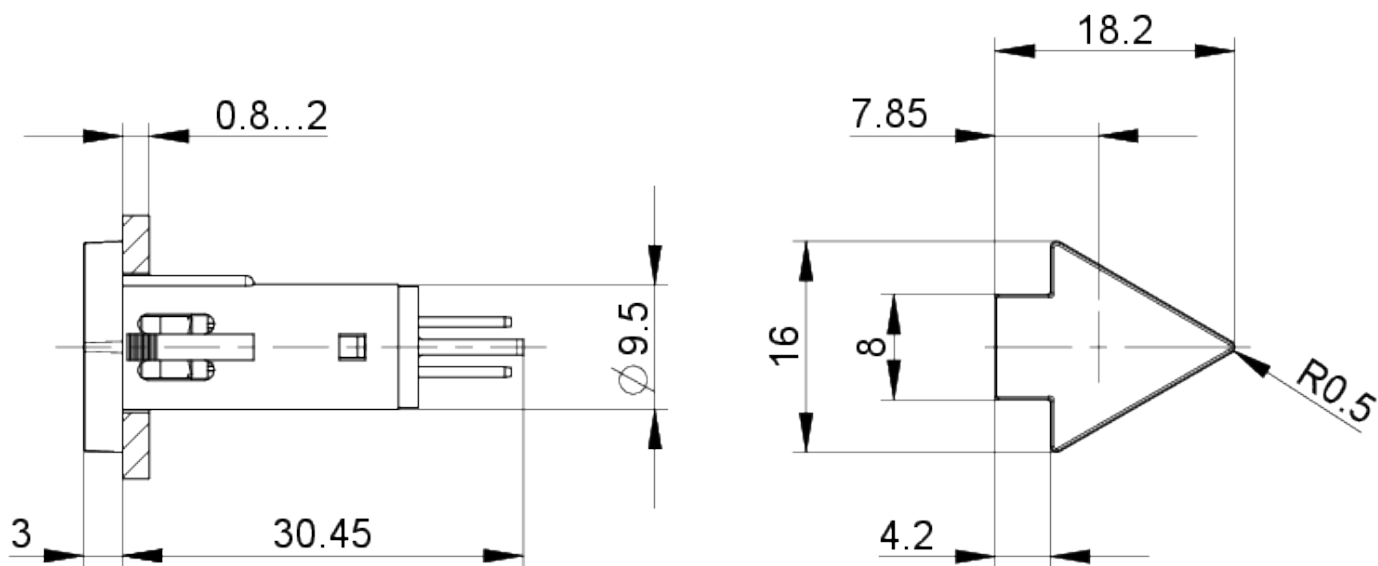
- › [RAFI eCatalog](#)

> **electrical data**

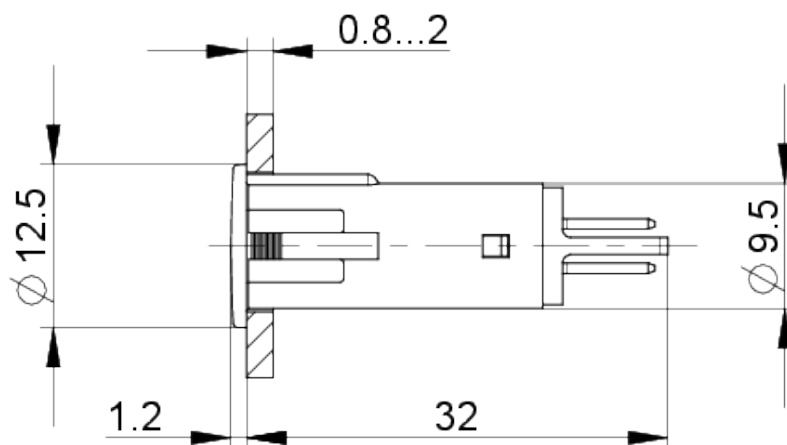
Operating voltage of the luminous element, max. 230 V

drawings

Dimensioned drawing



Dimensioned drawing



Mounting hole drawing

