

Signal lamp with integrated neon lamp, 10 mm, arrow-shaped bezel, lamp green, 230 Volt, bezel green, Flat quick-connect terminal 2.8 x 0.8 tin-plated



Description

Signal lamps with integrated filament lamp, neon lamp or luminous element neon lamp, mounting hole diameter 10 mm



technical data

> general

Bezel color	green
Property of bezel / mushroom	transparent
Luminous element color	green
Bezel shape	arrow-shaped
illuminated	Yes
Packaging unit	10 pcs.
net weight	2.6 g
Degree of protection, front side, according to DIN EN 60529	IP40
MOQ order	50 pcs.
RoHS compliant	Yes
REACH compliant	Yes

direct links

> [RAFI eCatalog](#)

> mounting diameters

Mounting hole	10 mm
Mounting depth	30 mm
Installation height	3 mm

> mechanical data

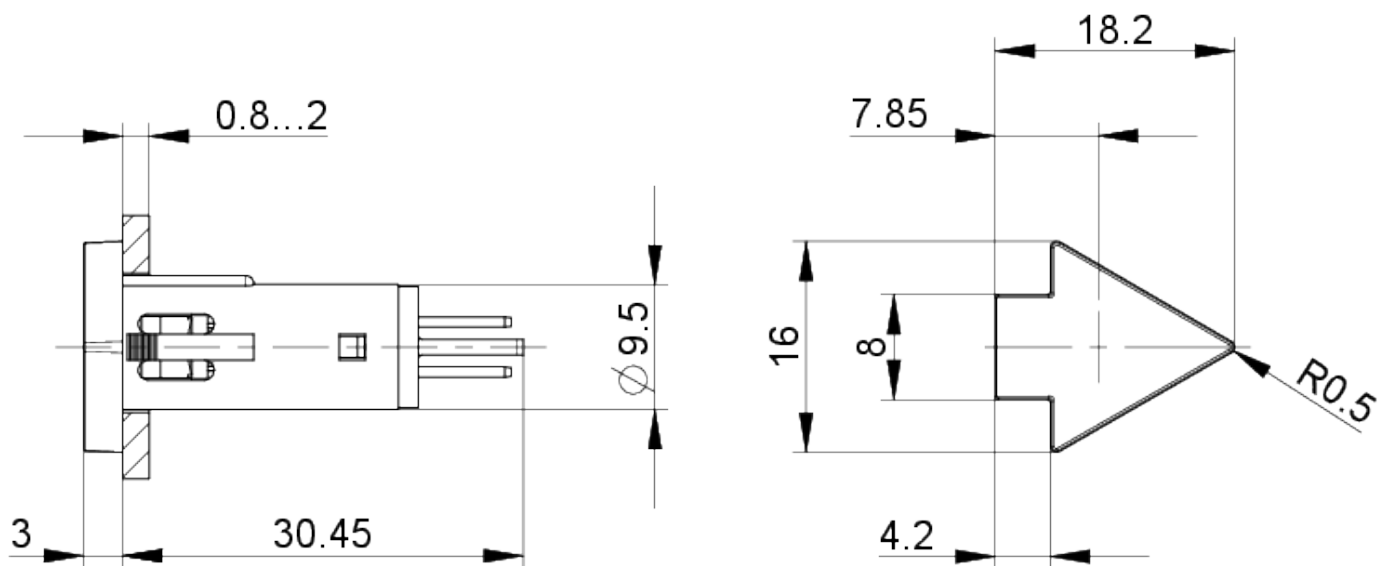
Fixing	Pushing into mounting hole
Solderability	Yes
Terminal on the rear	Flat quick-connect terminal 2.8 x 0.8 tin-plated

> electrical data

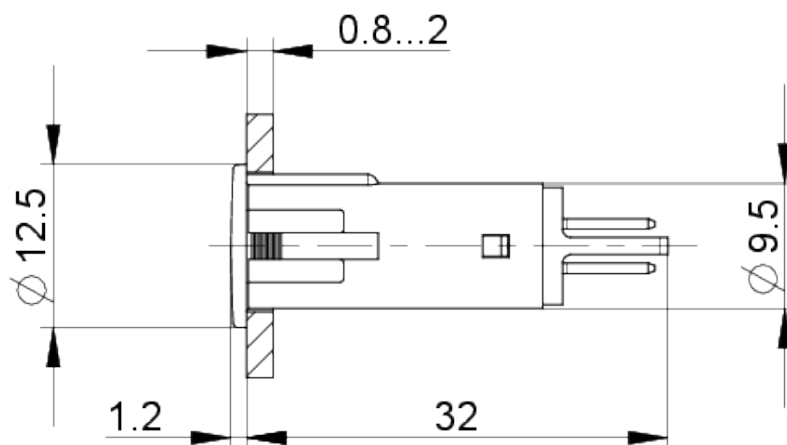
Operating voltage of the luminous element, max.	230 V
---	-------

drawings

Dimensioned drawing



Dimensioned drawing



Mounting hole drawing

