

Signal lamp with integrated LED, 5 mm, protruding LED, lamp green, 28 Volt, Solder terminal



fields of application

- > Measurement-control-regulation
- > Electrical engineering
- > Mechanical and system engineering
- > Signalling systems
- > Model construction



description

Signal lamps with integrated LED, mounting hole diameter 5 mm

technical data

> general

Property of bezel / mushroom	transparent
Luminous element color	green
illuminated	Yes
Packaging unit	10 pcs.
net weight	0.4 g
Degree of protection, front side, according to DIN EN 60529	IP40
MOQ order	50 pcs.
RoHS compliant	Yes
REACH compliant	Yes

direct links

- > [RAFI eCatalog](#)

> mounting diameters

Outside dimension, length	5.8 mm
Outside dimension, width	5.8 mm
Outside dimension, height	21 mm
Mounting hole	5 mm
Mounting depth	18 mm
Installation height	3 mm
Collar dimension	5.8 mm

> mechanical data

Fixing	Pushing into mounting hole
--------	----------------------------

Solderability	Yes
Terminal on the rear	Solder terminal

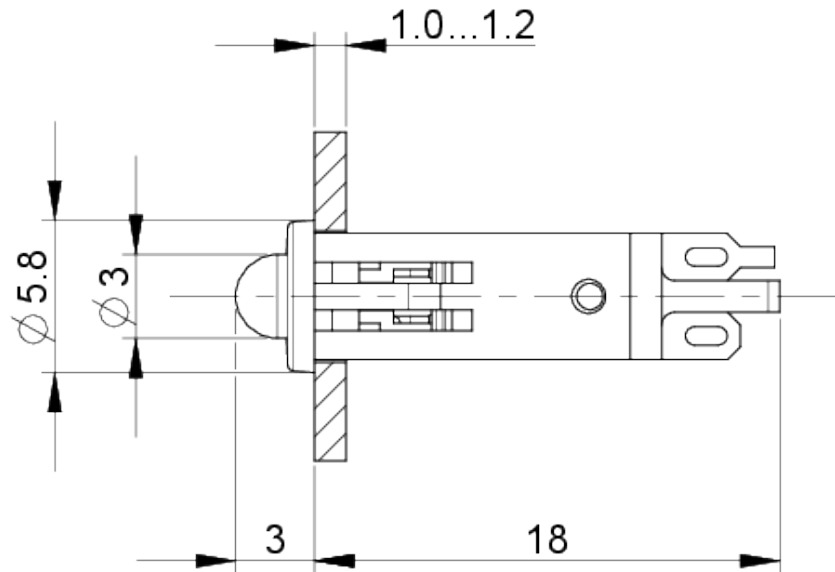
> electrical data

Operating voltage of the luminous element, min.	24 V
---	------

Operating voltage of the luminous element, max.	28 V
---	------

drawings

Dimensioned drawing



Mounting hole drawing

