

Signal lamp with integrated LED, 10 mm, round bezel, 24-28 V, 28 Volt, bezel blue, Flat quick-connect terminal 2.8 x 0.8 tin-plated



Description

Signal lamps with integrated LED, mounting hole diameter 10 mm



technical data

> general

Bezel color	blue
Property of bezel / mushroom	transparent
Bezel shape	round
illuminated	Yes
Packaging unit	10 pcs.
Net weight	2.4 g
Degree of protection, front side, according to DIN EN 60529	IP40
Minimum order quantity (MOQ)	50 pcs.
RoHS compliant	Yes
REACH compliant	Yes
Country of origin	HU

direct links

> [RAFI eCatalog](#)

> mounting diameters

Outside dimension, length	12.5 mm
Outside dimension, width	12.5 mm
Outside dimension, height	33.7 mm
Mounting hole	10 mm
Mounting depth	30.5 mm
Installation height	3.2 mm
Collar dimension	12.5 mm

> mechanical data

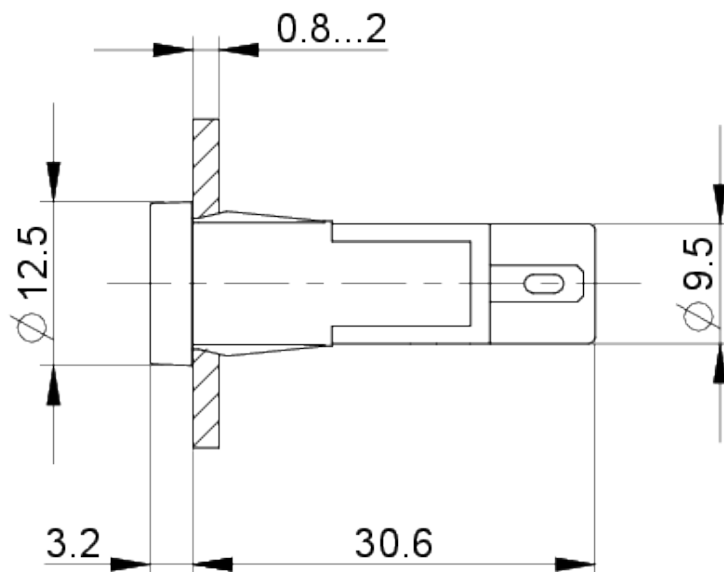
Terminal on the rear	Flat quick-connect terminal 2.8 x 0.8 tin-plated
Fixing	Pushing into mounting hole
Solderability	Yes

> electrical data

Operating voltage of the luminous element, min.	24 V
Operating voltage of the luminous element, max.	28 V
Protective diode	No

drawings

Dimensioned drawing



Mounting hole drawing

