

Signal lamp with integrated LED, 10 mm, round bezel, 24-28 V, 28 Volt, bezel transparent, Flat quick-connect terminal 2.8 x 0.8 tin-plated



fields of application

- > Measurement-control-regulation
- > Electrical engineering
- > Mechanical and system engineering
- > Signalling systems
- > Model construction



description

Signal lamps with integrated LED, mounting hole diameter 10 mm

technical data

> general

Bezel color	transparent
Property of bezel / mushroom	transparent
Bezel shape	round
illuminated	Yes
Packaging unit	10 pcs.
net weight	2.4 g
Degree of protection, front side, according to DIN EN 60529	IP40
MOQ order	50 pcs.
RoHS compliant	Yes
REACH compliant	Yes

> mounting diameters

Outside dimension, length	12.5 mm
Outside dimension, width	12.5 mm
Outside dimension, height	33.7 mm
Mounting hole	10 mm
Mounting depth	30.5 mm
Installation height	3.2 mm
Collar dimension	12.5 mm

direct links

- > [RAFI eCatalog](#)

> mechanical data

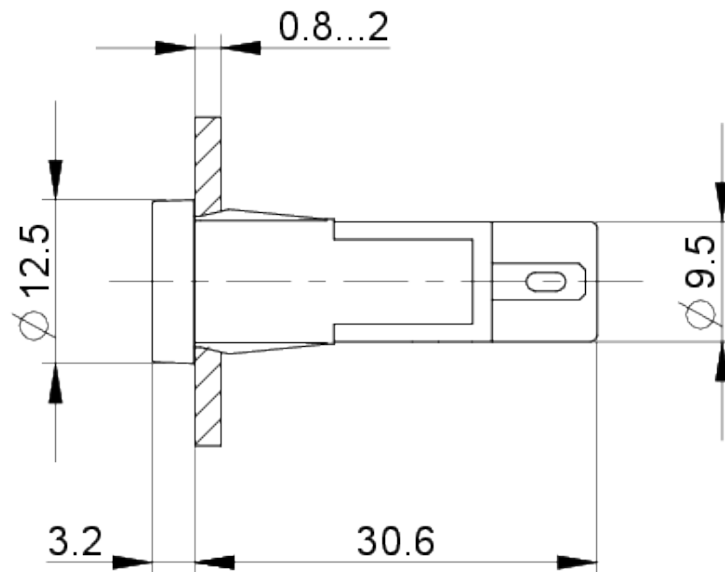
Fixing	Pushing into mounting hole
Solderability	Yes
Terminal on the rear	Flat quick-connect terminal 2.8 x 0.8 tin-plated

> electrical data

Operating voltage of the luminous element, min.	24 V
Operating voltage of the luminous element, max.	28 V
Protective diode	Yes

drawings

Dimensioned drawing



Mounting hole drawing

