

RAFIX 22 FS⁺, signal lamp multicolor, round collar, lamp red / green, bezel white, Flat quick-connect terminal 2.8 x 0.8

DISCONTINUED



fields of application

- > Measurement-control-regulation
- > Electrical engineering
- > Mechanical and system engineering
- > Signalling systems
- > Vehicle construction
- > Handheld terminals
- > Industrial robots

special features

- > Light attachment with display white (unlit) / red / green
- > Three signal states can be displayed with one lamp
- > Plug-in connection (QC) with integrated reverse polarity protection
- > Degree of protection: IP 65 at the front



description

Separate 2.8 x 0.8 mm plug-in connections and integrated reverse polarity protection allow three signal states to be displayed in one lamp: white unlit, red lit and green lit.

technical data

> general

Bezel color	white
Property of bezel / mushroom	translucent
Collar color	dark gray
Luminous element color	red / green
Collar shape	round
Operating temperature, min.	-25 °C
Operating temperature, max.	60 °C
Storage temperature, min.	-40 °C
Storage temperature, max.	80 °C
illuminated	Yes
Packaging	Box
Packaging unit	10 pcs.
net weight	13.5 g
UL Enclosure Type Rating front side	type 1 type 4X indoor
MOQ order	10 pcs.
RoHS compliant	Yes
REACH compliant	Yes

direct links

- > [RAFI eCatalog](#)

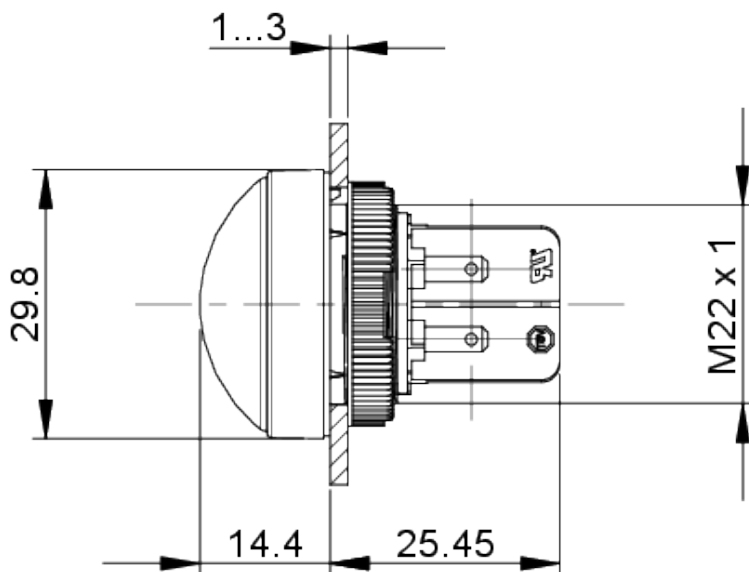
> mounting diameters

Outside dimension, length	29.8 mm
Outside dimension, width	29.8 mm

Outside dimension, height	39.85 mm
Mounting hole	22.3 mm
Mounting depth	25.45 mm
Installation height	14.4 mm
Grid, min.	30 mm
> mechanical data	
Fixing	Threaded ring
Solderability	No
Terminal on the rear	Flat quick-connect terminal 2.8 x 0.8
> electrical data	
Operating voltage of the luminous element, min.	8 V
Operating voltage of the luminous element, max.	30 V
Voltage type	DC
Rated operating voltage	8-30 V
Power loss	0.39000 W

drawings

Dimensioned drawing



System drawing



System drawing

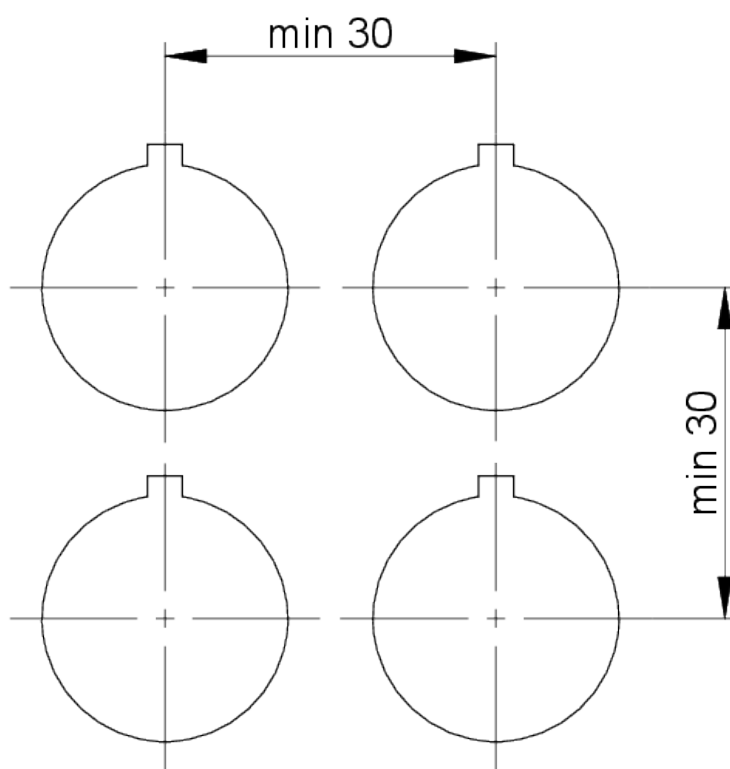


Mounting hole drawing

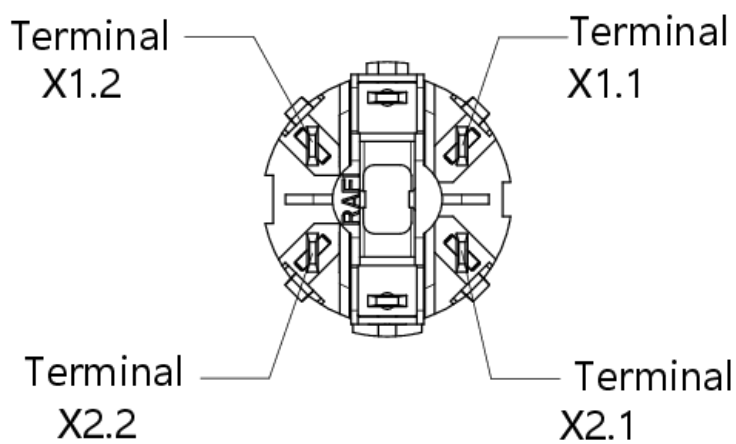


acc. to IEC 60947-5-1

front panel drawing



Connection drawing



X1.1 + X2.1 green

X1.2 + X2.2 red