

## RAFIX 22 FSR, signal indicator, round collar, bezel yellow



### fields of application

- › Measurement-control-regulation
- › Mechanical and system engineering
- › Agricultural and forestry machinery
- › Construction machinery

### special features

- › Lighting attachment
- › Illumination with SMT LED
- › Low installation depth 9.2 mm (PCB) or 27 mm (QC with LED clip)
- › Connection types: printed circuit board connection (PCB) or plug-in connection (QC)
- › Degree of protection: IP 65 / IP 67 / IP 69K front side



### description

RAFIX control devices are defined at RAFI as modular elements, consisting of an actuating element, if necessary a coupling and an individual contact or lighting unit.

Actuating elements (such as pushbuttons, emergency stop actuators, etc.) have the intended tactility, reset and function only when assembled with the appropriate switching elements.

The RAFIX 22 FSR signal indicators are designed for illumination with SMT or THT LEDs. They ensure full illumination that can also be seen from the side.

### technical data

#### › general

Bezel color	yellow
Property of bezel / mushroom	translucent
Collar shape	round
Operating temperature, min.	-40 °C
Operating temperature, max.	85 °C
Storage temperature, min.	-40 °C
Storage temperature, max.	85 °C
illuminated	Yes
Packaging	Box
Packaging unit	10 pcs.
net weight	10.5 g
Degree of protection, front side, according to DIN EN 60529	IP65 IP67 IP69
UL Enclosure Type Rating front side	type 1 type 4X indoor

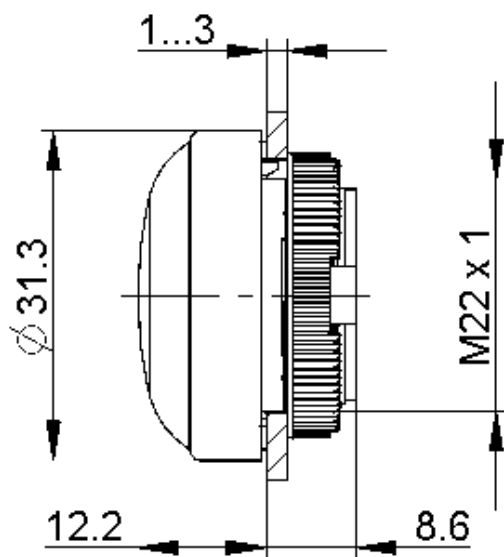
#### direct links

- › [RAFI eCatalog](#)

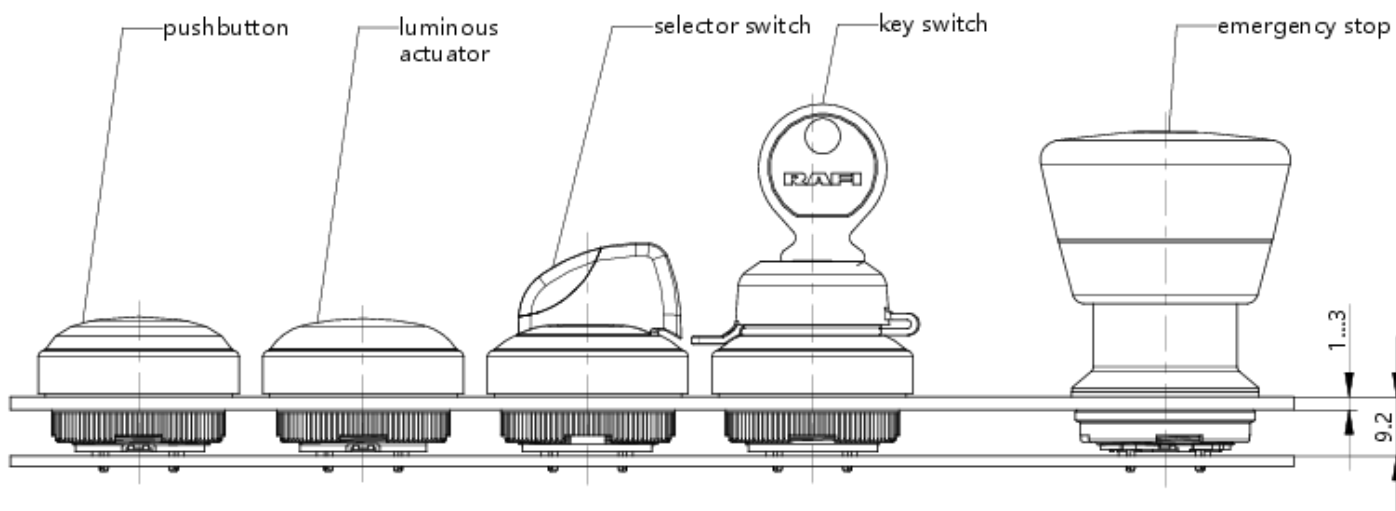
Environment resistance	IEC 60068-2-14 IEC 60068-2-30 IEC 60068-2-33 IEC 60068-2-78
Salt-spray resistance according to standard	IEC 60068-2-11
Impact resistance IK	06
MOQ order	10 pcs.
RoHS compliant	Yes
REACH compliant	Yes
<b>&gt; mounting diameters</b>	
Outside dimension, length	31.3 mm
Outside dimension, width	31.3 mm
Outside dimension, height	20.8 mm
Mounting hole	22.3 mm
Mounting depth	9.2 mm
Installation height	12.2 mm
Grid, min.	32 x 32 mm
Collar dimension	ø 31,3 mm
<b>&gt; mechanical data</b>	
Fixing	Threaded ring
Threaded ring torque, max.	1.2 Nm

**drawings**

**Dimensioned drawing**



**System drawing**



**System drawing**

