

RAFIX 22 FSR, signal lamp, round collar, lamp red / green, bezel white, Flat quick-connect terminal 2.8 x 0.8

DISCONTINUED


fields of application

- › Measurement-control-regulation
- › Electrical engineering
- › Mechanical and system engineering
- › Signalling systems
- › Agricultural and forestry machinery
- › Construction machinery
- › Industrial robots

special features

- › Light attachment with display white (unlit) / red / green
- › Three signal states can be displayed with one lamp
- › Plug-in connection (QC) with integrated reverse polarity protection
- › Degree of protection: IP 65 at the front



description

RAFIX control devices are defined at RAFI as modular elements, consisting of an actuating element, if necessary a coupling and an individual contact or lighting unit.

Actuating elements (such as pushbuttons, emergency stop actuators, etc.) have the intended tactility, reset and function only when assembled with the appropriate switching elements.

Separate 2.8 x 0.8 mm plug-in connections and integrated reverse polarity protection allow three signaling states to be displayed in one lamp. This means that only one signal lamp is required where previously three were needed.

- › Illumination LED red / LED green
- › Operating voltage min. 8 ... max. 30 V DC -
- › Integrated reverse polarity protection

technical data

› general

Bezel color	white
Property of bezel / mushroom	translucent
Collar color	stainless steel
Luminous element color	red / green
Collar shape	round
Operating temperature, min.	-25 °C
Operating temperature, max.	60 °C
Storage temperature, min.	-40 °C
Storage temperature, max.	80 °C
illuminated	Yes

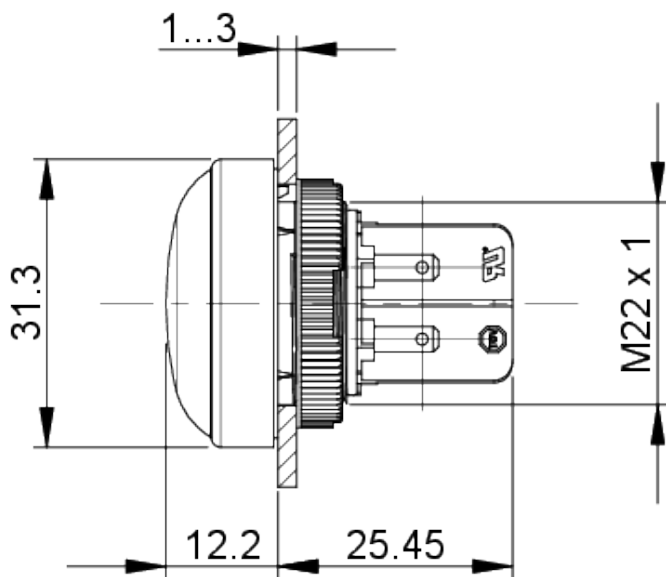
direct links

- › [RAFI eCatalog](#)

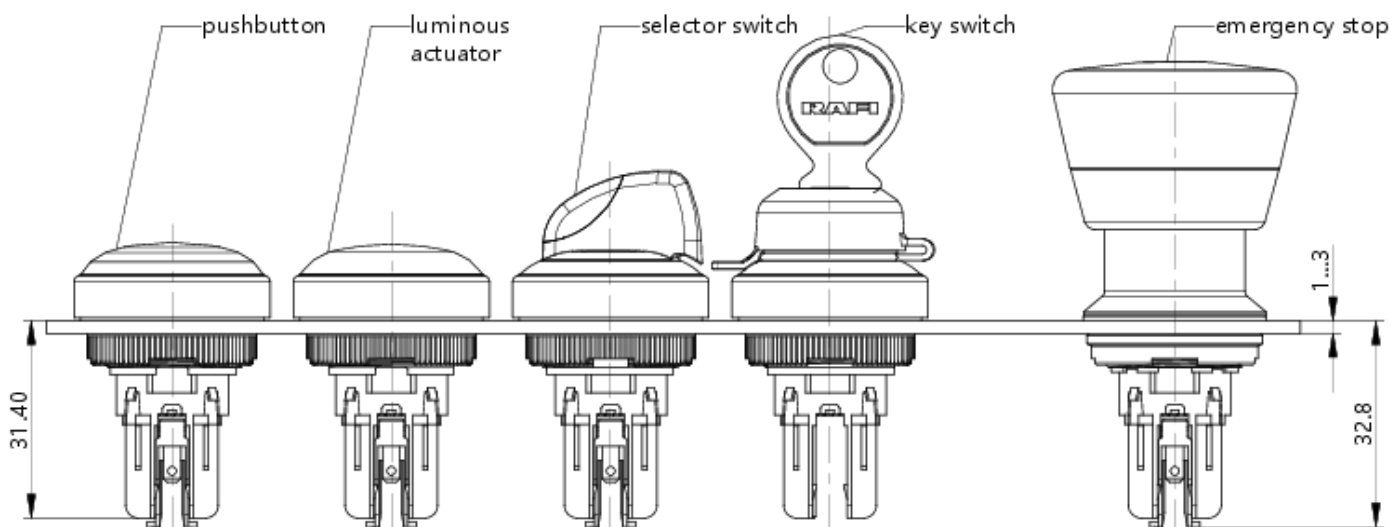
Packaging	Box
Packaging unit	10 pcs.
net weight	10.5 g
Degree of protection, front side, according to DIN EN 60529	IP65 IP67 IP69
UL Enclosure Type Rating front side	type 1 type 4X indoor
MOQ order	10 pcs.
RoHS compliant	Yes
REACH compliant	Yes
> mounting diameters	
Outside dimension, length	31.3 mm
Outside dimension, width	31.3 mm
Outside dimension, height	37.65 mm
Mounting hole	22.3 mm
Mounting depth	25.45 mm
Installation height	12.2 mm
> mechanical data	
Solderability	No
Terminal on the rear	Flat quick-connect terminal 2.8 x 0.8
> electrical data	
Operating voltage of the luminous element, min.	8 V
Operating voltage of the luminous element, max.	30 V
Voltage type	DC
Rated operating voltage	8-30 V
Power loss	0.39000 W

drawings

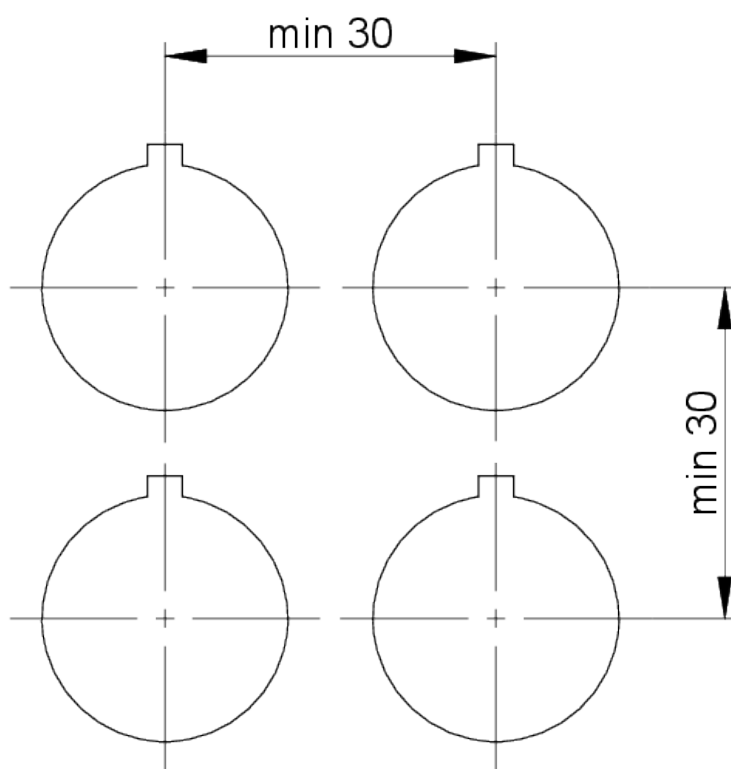
Dimensioned drawing



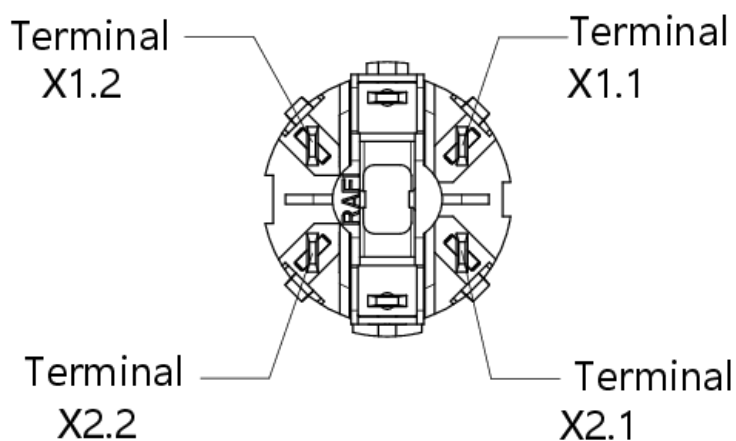
System drawing



front panel drawing



Connection drawing



X1.1 + X2.1 green

X1.2 + X2.2 red