

RAFIX 30 FS⁺, signal lamp, round collar, lamp red / green, bezel white, Flat quick-connect terminal 2.8 x 0.8

DISCONTINUED


fields of application

- > Measurement-control-regulation
- > Electrical engineering
- > Mechanical and system engineering
- > Signalling systems
- > Vehicle construction
- > Industrial robots

special features

- > Light attachment with display white (unlit) / red / green
- > Three signal states can be displayed with one lamp
- > Plug-in connection (QC) with integrated reverse polarity protection
- > Degree of protection: IP 65 at the front



description

RAFIX control devices are defined at RAFI as modular elements, consisting of an actuating element, if necessary a coupling and an individual contact or lighting unit.

Actuating elements (such as pushbuttons, emergency stop actuators, etc.) have the intended tactility, reset and function only when assembled with the appropriate switching elements.

Separate 2.8 x 0.8 mm plug-in connections and integrated reverse polarity protection allow three signal states to be displayed in one lamp: white unlit, red lit and green lit.

technical data

> general

Bezel color	white
Front ring color	stainless steel
Luminous element color	red / green
Collar shape	round
Operating temperature, min.	-25 °C
Operating temperature, max.	60 °C
Storage temperature, min.	-40 °C
Storage temperature, max.	80 °C
illuminated	Yes
Packaging	Box
Packaging unit	10 pcs.
net weight	16.6 g
UL Enclosure Type Rating front	type 1
side	type 4X indoor
MOQ order	10 pcs.

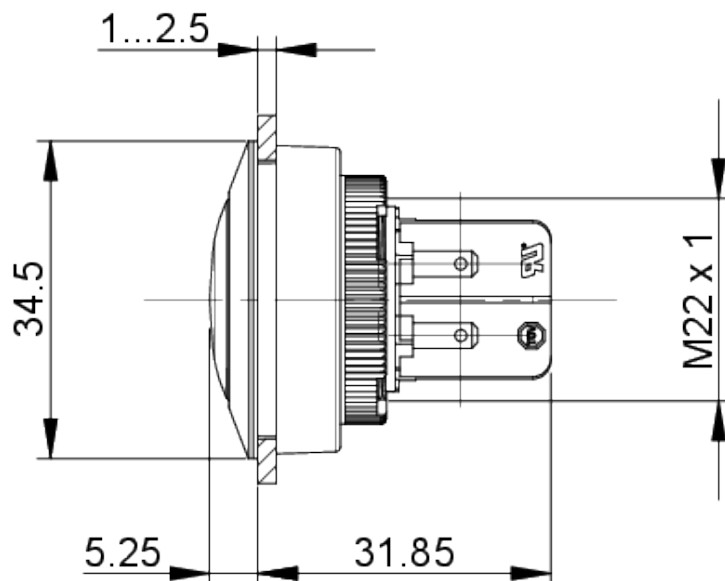
direct links

- > [RAFI eCatalog](#)

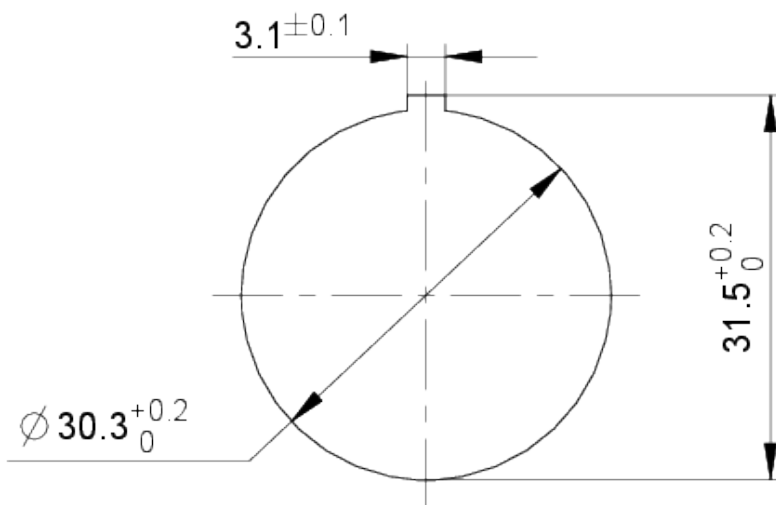
RoHS compliant	Yes
REACH compliant	Yes
> mounting diameters	
Outside dimension, length	34.5 mm
Outside dimension, width	34.5 mm
Outside dimension, height	37.1 mm
Mounting hole	30.3 mm
Mounting depth	31.85 mm
Installation height	5.25 mm
Grid, min.	35 mm
Collar dimension	34.5 mm
> mechanical data	
Fixing	Threaded ring
Solderability	No
Terminal on the rear	Flat quick-connect terminal 2.8 x 0.8
> electrical data	
Operating voltage of the luminous element, min.	8 V
Operating voltage of the luminous element, max.	30 V
Voltage type	DC
Rated operating voltage	8-30 V
Power loss	0.39000 W

drawings

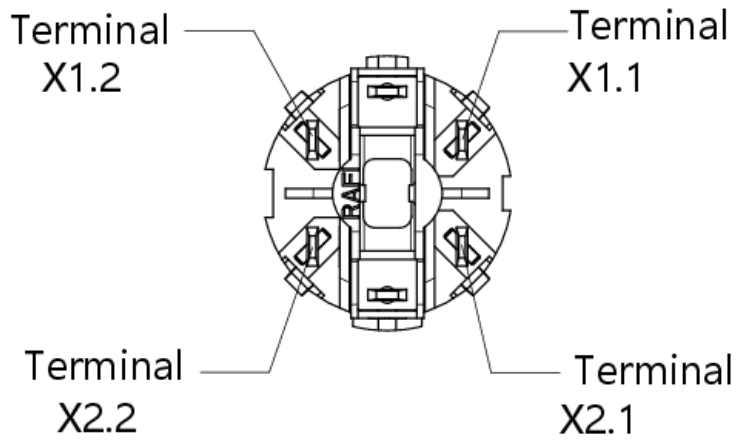
Dimensioned drawing



Mounting hole drawing



Connection drawing



X1.1 + X2.1 green

X1.2 + X2.2 red