

## RF 15 N, gold, non-illuminated, 2.9 ± 0.6 N, 1 NO



### fields of application

- › Measurement-control-regulation
- › Mechanical and system engineering
- › Automotive
- › Electro-medical

### special features

- › Gold contacts, reliable switching with low currents
- › Narrow key grid of 15.24 mm possible
- › Low overall height, just 6.2 mm
- › Variable overall height due to snap-on plunger
- › Optional: spot illumination
- › Terminal technology: THT



### description

The RF 15N key switch enables a very low overall height of 6.2 mm. The overall height can be varied using the extension plunger, which is snapped into the cross-like recess in the pressure pad.

Up to an overall height of 10 mm (i.e. with or without the small plunger), LEDs can only be positioned on the PCB separately, next to the key switches. From an overall height of 12 mm, a maximum of 2 LEDs can also be plugged into locating indents in the key switch housing. To achieve satisfactory illumination, the LEDs should be placed on LED spacer sleeves from an overall height of 12.5 mm.

### technical data

#### › general

Operating temperature, min.	-25 °C
Operating temperature, max.	70 °C
Storage temperature, min.	-25 °C
Storage temperature, max.	70 °C
illuminated	No
Soldering time for manual soldering, max.	5 sec
Soldering temperature for manual soldering	350 °C
Soldering temperature for wave soldering	260 °C
Soldering	Manual / wave
Solder heat resistance according to standard	DIN EN 60068-2-20
Packaging	Tube
Packaging unit	32 pcs.
net weight	1.6 g
Operating life	1,000,000 cycles
B10	1,300,000 cycles
MOQ order	32 pcs.

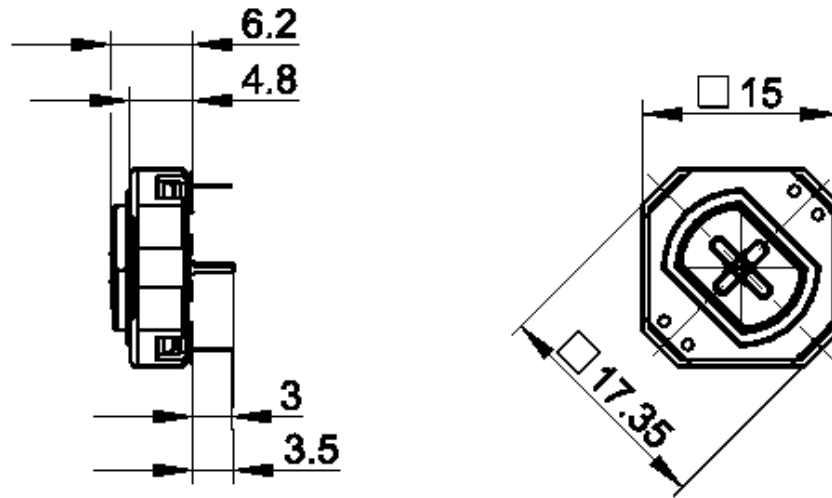
#### direct links

- › [RAFI eCatalog](#)

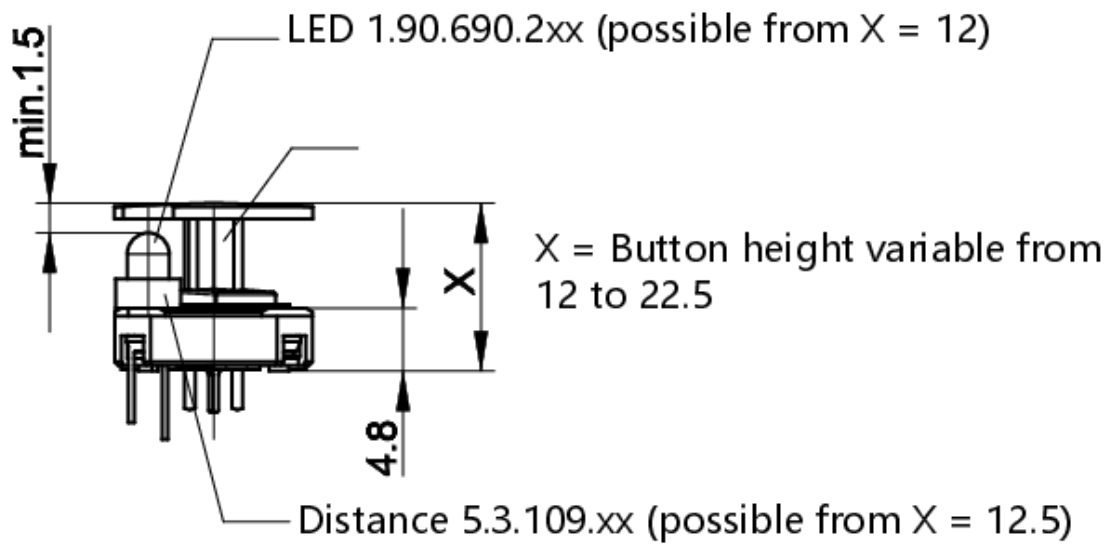
RoHS compliant	Yes
REACH compliant	Yes
<b>&gt; mounting diameters</b>	
Outside dimension, length	15 mm
Outside dimension, width	15 mm
Outside dimension, height	6.2 mm
Installation height	6.2 mm
Grid, min.	19.05 mm
<b>&gt; mechanical data</b>	
Actuation function	momentary contact function
Operating force, min.	2.9 ± 0.6 N
Switching travel	0.5 <sup>+0.3</sup> mm
Contact function	1 NO
Contact system	Snap-action contact
Contact material	Gold
Fixing	Soldering
Solderability	Yes
Terminal on the rear	THT
<b>&gt; electrical data</b>	
Rated voltage, min.	0.02 V
Rated voltage, max.	35 V
Rated current, min.	0.00001 A
Rated current, max.	0.1 A
Rated power, max.	2 W

**drawings**

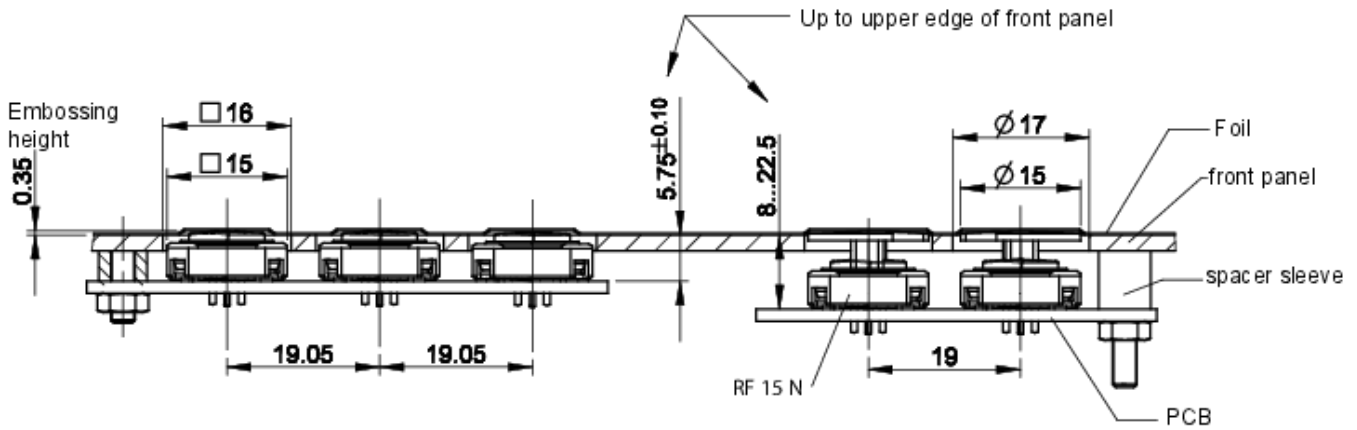
**Dimensioned drawing**



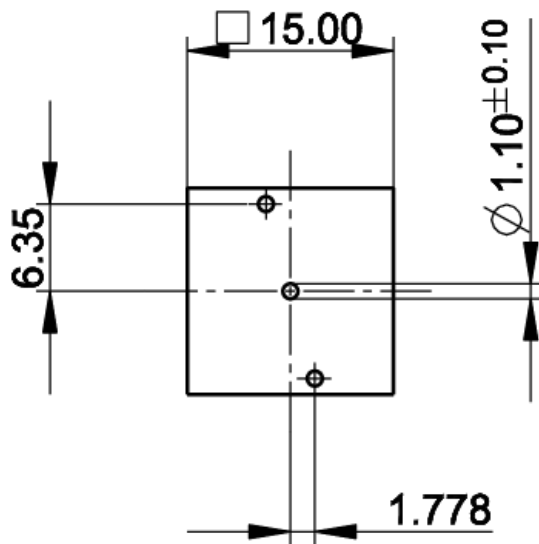
**Dimensioned drawing**



System drawing

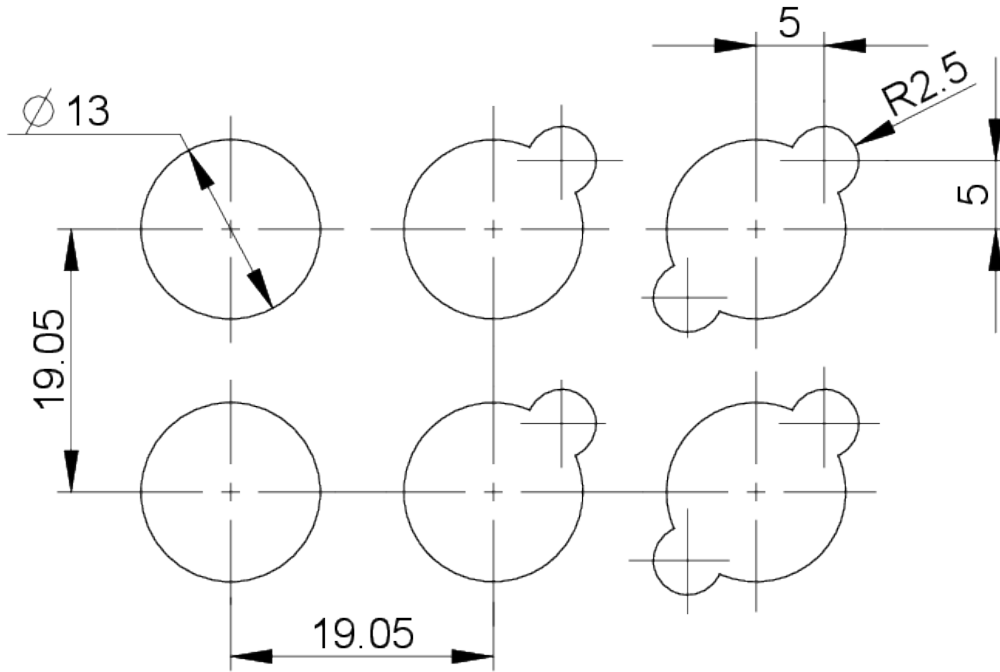


PCB drawing

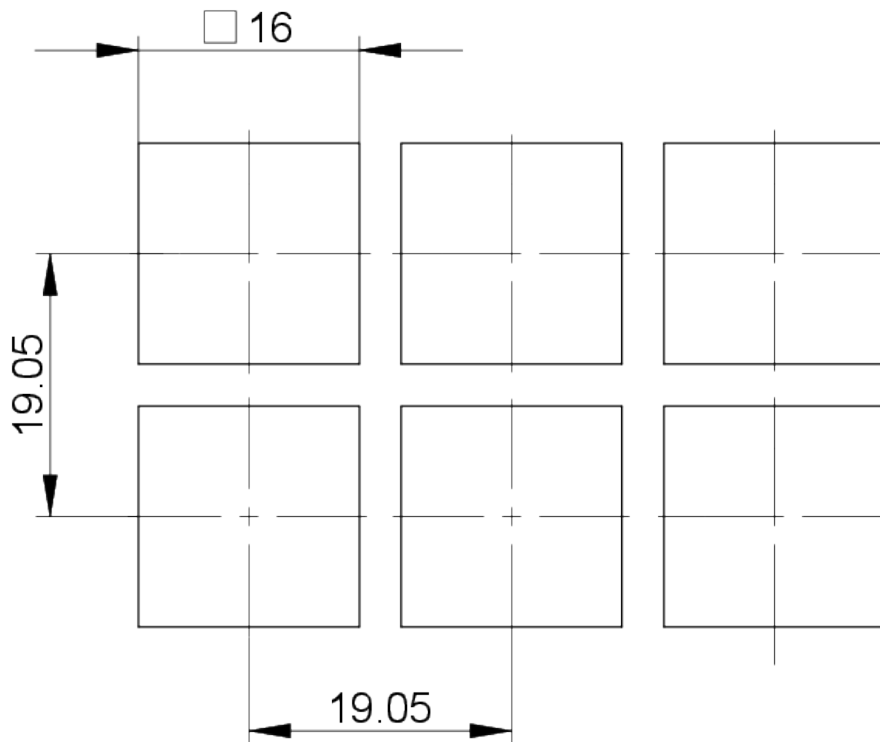


Button not illuminated

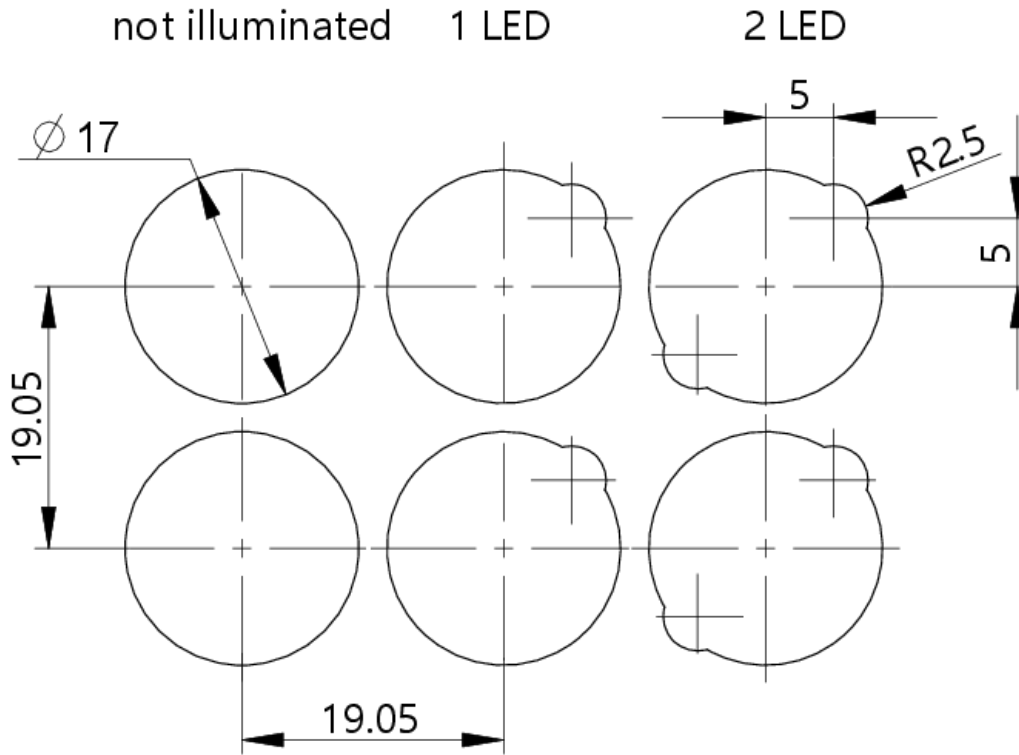
front panel drawing



front panel drawing



front panel drawing



front panel drawing

