

## RF 15 H, gold, non-illuminated, $2.9 \pm 0.6$ N, bezel white, 1 NO



### fields of application

- › Measurement-control-regulation
- › Mechanical and system engineering
- › Automotive
- › Electro-medical

### special features

- › Gold contacts, reliable switching with low currents
- › Full illumination
- › Min. key grid 20 mm
- › Overall height: 12.5 mm
- › Terminal technology: THT



### description

The RF 15 H gold tactile switches have a 15 x 15 mm edge length, reliable gold contacts and a noticeable click. They are used in flat data entry keyboards under overlays or under keycaps, such as RAFI RK 90 keycaps.

Flat data entry keyboards with RF 15 H elements should be constructed in a 20 mm grid. With this grid, strips of glue remain between the individual keys on the front panel. The overlay, which we recommend embossing above the key switches, can be glued onto these strips of glue.

The key switch can be locked with an O-ring (accessory) and used as a signal indicator or placeholder.

### technical data

#### › general

|  |                   |
|--|-------------------|
| Bezel color                                  | white             |
| Operating temperature, min.                  | -25 °C            |
| Operating temperature, max.                  | 70 °C             |
| Storage temperature, min.                    | -25 °C            |
| Storage temperature, max.                    | 70 °C             |
| illuminated                                  | No                |
| Soldering time for manual soldering, max.    | 5 sec             |
| Soldering temperature for manual soldering   | 350 °C            |
| Soldering temperature for wave soldering     | 260 °C            |
| Soldering                                    | Manual / wave     |
| Solder heat resistance according to standard | DIN EN 60068-2-20 |
| Packaging                                    | Tube              |
| Packaging unit                               | 32 pcs.           |
| net weight                                   | 2.1 g             |

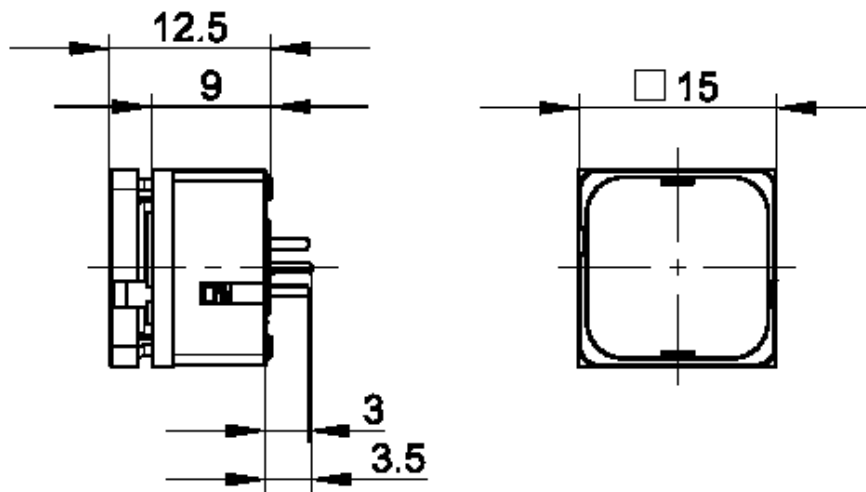
#### direct links

- › [RAFI eCatalog](#)

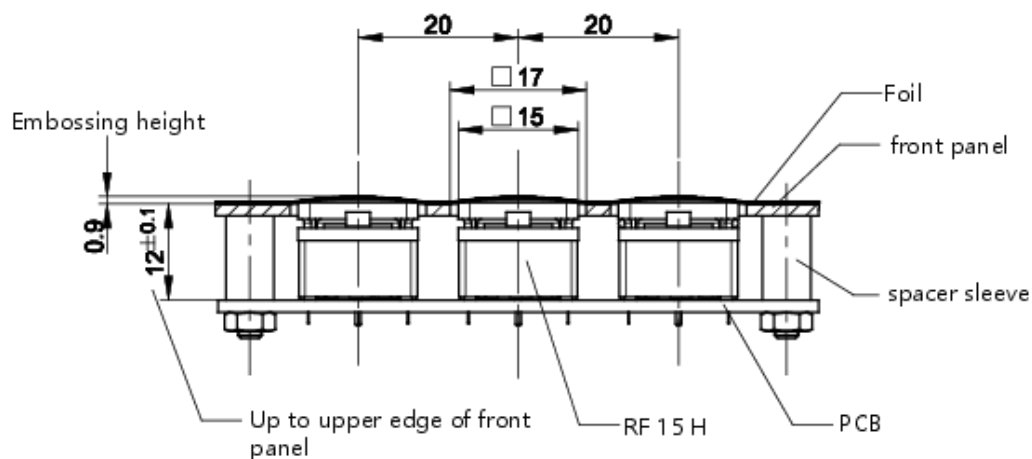
|   |                            |
|---|----------------------------|
| Operating life                                  | 1,000,000 cycles           |
| B10   | 1,300,000 cycles           |
| MOQ order                                       | 32 pcs.                    |
| RoHS compliant                                  | Yes                        |
| REACH compliant                                 | Yes                        |
| <b>&gt; mounting diameters</b>                  |                            |
| Outside dimension, length                       | 15 mm                      |
| Outside dimension, width                        | 15 mm                      |
| Outside dimension, height                       | 12.5 mm                    |
| Installation height                             | 12.5 mm                    |
| Grid, min.                                      | 20 mm                      |
| <b>&gt; mechanical data</b>                     |                            |
| Actuation function                              | momentary contact function |
| Operating force, min.                           | 2.9 ± 0.6 N                |
| Switching travel                                | 0.5 <sup>+0.3</sup> mm     |
| Contact function                                | 1 NO                       |
| Contact system                                  | Snap-action contact        |
| Contact material                                | Gold                       |
| Fixing  | Soldering                  |
| Solderability                                   | Yes                        |
| Terminal on the rear                            | THT                        |
| <b>&gt; electrical data</b>                     |                            |
| Operating voltage of the luminous element, max. | 5 V                        |
| Rated voltage, min.                             | 0.02 V                     |
| Rated voltage, max.                             | 35 V                       |
| Rated current, min.                             | 0.00001 A                  |
| Rated current, max.                             | 0.1 A                      |
| Rated power, max.                               | 2 W                        |

**drawings**

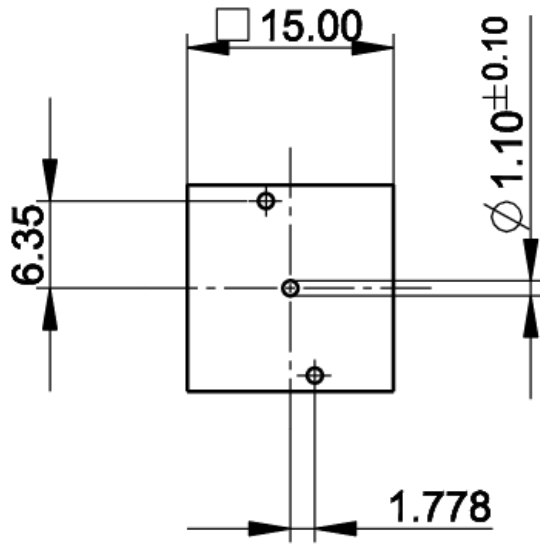
**Dimensioned drawing**



**System drawing**



PCB drawing



Button not illuminated

front panel drawing

