

RF 15, indicator field, full illumination, lamp red, bezel red



fields of application

- > Measurement-control-regulation
- > Mechanical and system engineering
- > Automotive
- > Electro-medical

special features

- > Full illumination with 1 LED



description

RF 15 indicator fields have a 15 x 15 mm edge length and are used under overlays in flat data entry keyboards as pure indicators.

technical data

> general

Bezel color	red
Luminous element color	red
Operating temperature, min.	-25 °C
Operating temperature, max.	70 °C
Storage temperature, min.	-25 °C
Storage temperature, max.	70 °C
illuminated	Yes
Luminous elements	Full illumination LED
Soldering time for manual soldering, max.	5 sec
Soldering temperature for manual soldering	350 °C
Soldering temperature for wave soldering	260 °C
Soldering	Manual / wave
Solder heat resistance according to standard	DIN EN 60068-2-20
Packaging	Tube
Packaging unit	32 pcs.
net weight	2.1 g
MOQ order	32 pcs.
RoHS compliant	Yes
REACH compliant	Yes

direct links

- > [RAFI eCatalog](#)

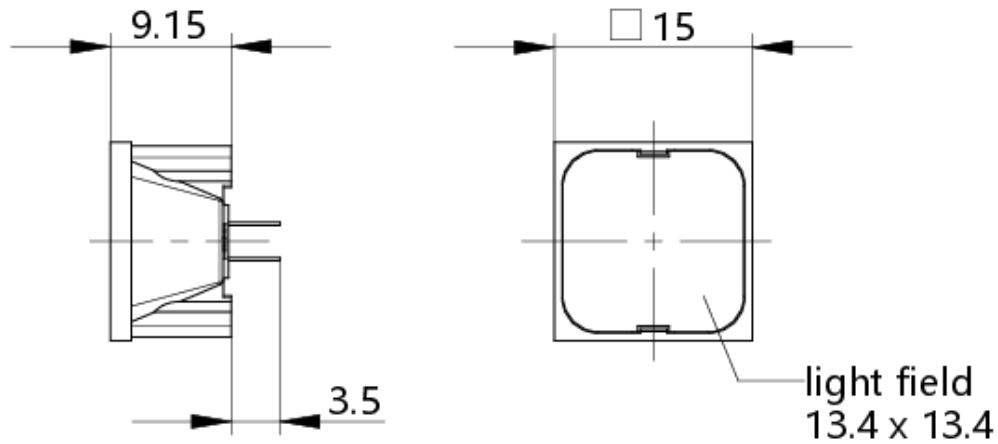
> mounting diameters

Outside dimension, length	15 mm
Outside dimension, width	15 mm
Outside dimension, height	9.15 mm

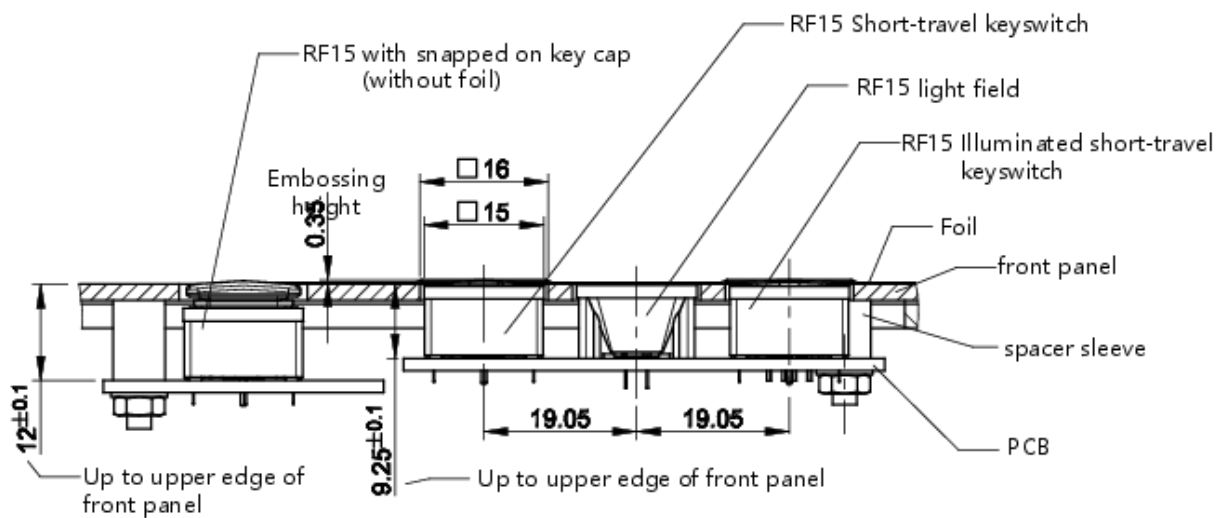
Installation height	9.15 mm
Grid, min.	19.05 mm
> mechanical data	
Switching travel	0.5 ^{+0.3} mm
Fixing	Soldering
Solderability	Yes
Terminal on the rear	THT
> electrical data	
Operating voltage of the luminous element, min.	2 V
Operating voltage of the luminous element, max.	5 V
Operating current of the luminous element, max.	30 mA
dropping resistor	no

drawings

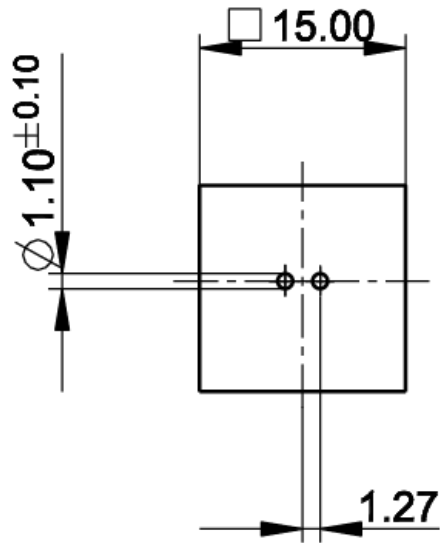
Dimensioned drawing



System drawing



PCB drawing



light field

front panel drawing

