

## E-BOX modular, standard contact module, 35 V, 1 NC + 1 NO



### fields of application

- › Measurement-control-regulation
- › Mechanical and system engineering
- › Construction machinery
- › Industrial robots
- › Model construction
- › Home technology

### special features

- › Kompakte Abmessungen: 109 x 40 x 27 mm
- › Für Betätiger der Befehlsgeräte-Baureihe RAFIX 22 FS+ (Einbaudurchmesser  $\varnothing$  22,3 mm)
- › Schaltelemente mit 2 Kontakten (für Not-Halt „PLUS1“ mit 3 Kontakten)
- › Optional mit LED für beleuchtbare Betätigungselemente
- › Mit gelbem Gehäuseoberteil für Not-Halt-Betätiger
- › Mit grauem Gehäuseoberteil für Standard-Betätiger wie z.B. Drucktaster
- › Befestigung mit zeitsparender Ein-Loch-Schraubbefestigungstechnik, besonders geeignet für Aluprofilschienen oder alternativ Direktbefestigung mit M4 Schrauben
- › Inklusive Kabeleinführung für Direktverkabelung: seitlich M16 oder bodenseitig M20



### description

The elegant and flat E-BOX is the complete housing for RAFIX 22 FS+ control units. It is used where individual control devices are required at remote locations - for example, emergency stop applications along a production facility or at a safety fence. The compact dimensions of the E-BOX are based on the edge dimensions of a 40 mm profile rail. Installation is also designed with this in mind. This is quick and easy thanks to the modular system consisting of a lower and upper housing section, contact module with switching element and emergency stop actuator.

The wiring of the terminals must be carried out by trained specialist personnel.

### technical data

#### › general

Operating temperature, min.	-25 °C
Operating temperature, max.	70 °C
Storage temperature, min.	-40 °C
Storage temperature, max.	80 °C
illuminated	No
Packaging	Box
Packaging unit	1 pcs.

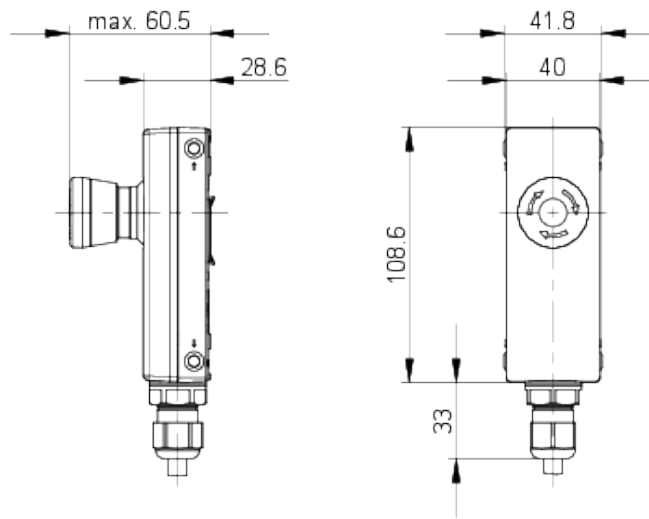
#### direct links

- › [RAFI eCatalog](#)

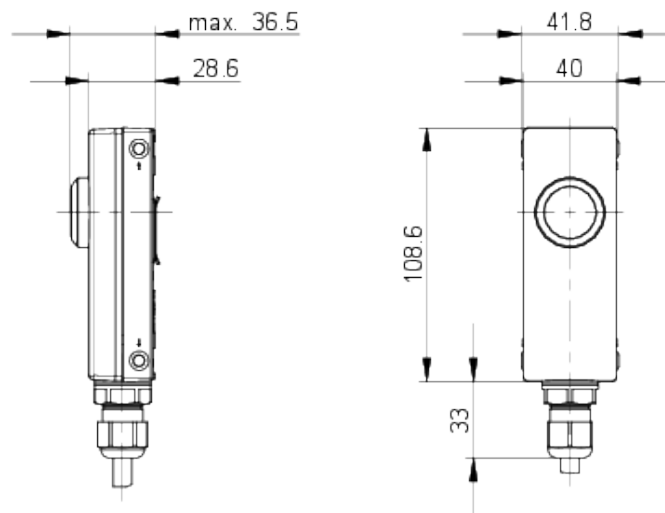
net weight	7.7 g
Operating life electrical	1.000.000 (10mA / 24V DC) cycles
B10 electrical	1.300.000 (10mA / 24V DC) cycles
Protection class	II
MOQ order	5 pcs.
RoHS compliant	Yes
REACH compliant	Yes
<b>&gt; mounting diameters</b>	
Outside dimension, length	45 mm
Outside dimension, width	32 mm
Outside dimension, height	16.85 mm
<b>&gt; mechanical data</b>	
Contact function	1 NC + 1 NO
Contact system	Bridge contact
Contact material	Gold
Fixing	Click quick fastener
Terminal on the rear	Cage Clamp®
Abisolierlänge	10 mm
PIN 1	Normally open contact 1
PIN 2	Normally open contact 1
PIN 3	Normally closed contact 1
PIN 4	Normally closed contact 1
<b>&gt; electrical data</b>	
Rated voltage, min.	0.02 V
Rated voltage, max.	35 V
Voltage type	AC / DC
Rated operating voltage	0.02-35 V
Rated current, min.	0.001 A
Rated current, max.	0.1 A
Rated power, max.	0.25 W
Power loss	0.00030 W
Maximum connection cross section	0.75 mm <sup>2</sup>
Minimum connection cross section	0.2 mm <sup>2</sup>

**drawings**

**System drawing**



**System drawing**



**Schematic diagram**

