

RAFIX 30 FS⁺, RAMO 30, blanking caps, stainless steel



description

Blanking plugs are used for installation in mounting holes in the front panel that are not required.

The design of the stainless steel product is adapted to the "RAFIX 30 FS+" series as well as to "RAMO 30" and fits harmoniously into the overall appearance of the operating front panel. It can also be used with pre-assembled PCB switching elements "RAFIX 22 FS+".

technical data

> general

Bezel color	stainless steel
Collar shape	round
Operating temperature, min.	-25 °C
Operating temperature, max.	70 °C
Storage temperature, min.	-40 °C
Storage temperature, max.	80 °C
illuminated	No
Packaging unit	10 pcs.
net weight	26 g
Degree of protection, front side,	IP65
according to DIN EN 60529	IP67
MOQ order	10 pcs.
RoHS compliant	Yes
REACH compliant	Yes

direct links

> [RAFI eCatalog](#)

> mounting diameters

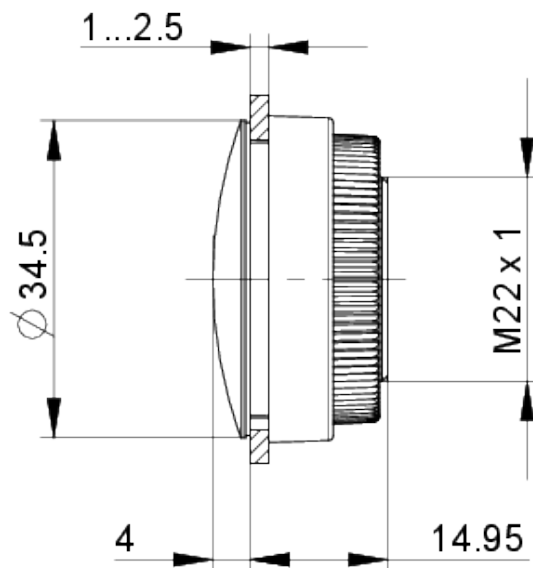
Outside dimension, length	34.5 mm
Outside dimension, width	34.5 mm
Outside dimension, height	18.95 mm
Mounting hole	30.3 mm

> mechanical data

Fixing	Threaded ring
Threaded ring torque, max.	1.2 Nm

drawings

Dimensioned drawing



Mounting hole drawing

