

## MICON 5, ring lighting plunger, D 28.2 mm



### fields of application

- › Measurement-control-regulation
- › Mechanical and system engineering
- › Automotive
- › Signalling systems
- › Vehicle construction
- › Handheld terminals

### description

The wide selection of standard plungers in different shapes and colors guarantees a versatile range of applications for the MICON 5 tactile switch.

The non-illuminated standard plunger is already included in the scope of delivery for ring illumination.

### technical data

#### › general

illuminated	Yes
Packaging unit	100 pcs.
net weight	3.1 g
MOQ order	100 pcs.
RoHS compliant	Yes
REACH compliant	Yes

#### direct links

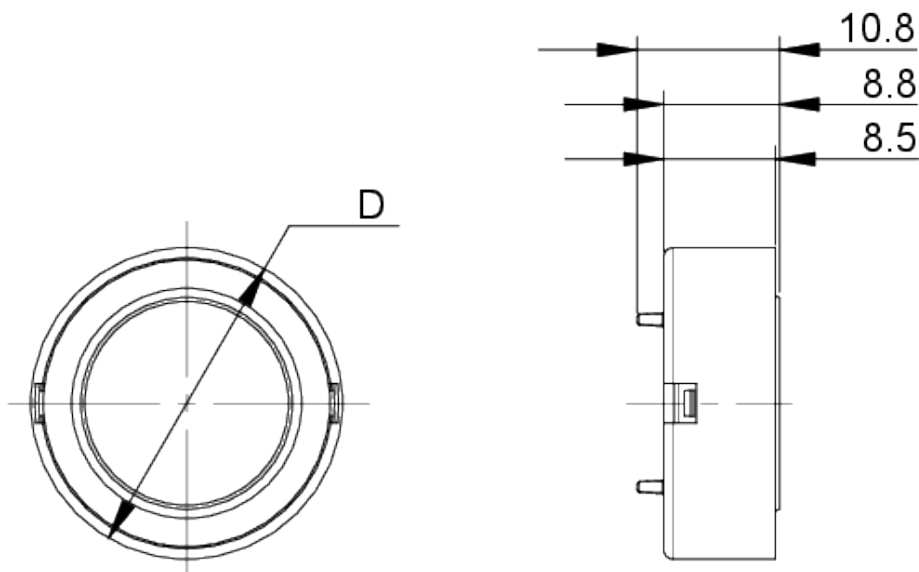
- › [RAFI eCatalog](#)

#### › mounting diameters

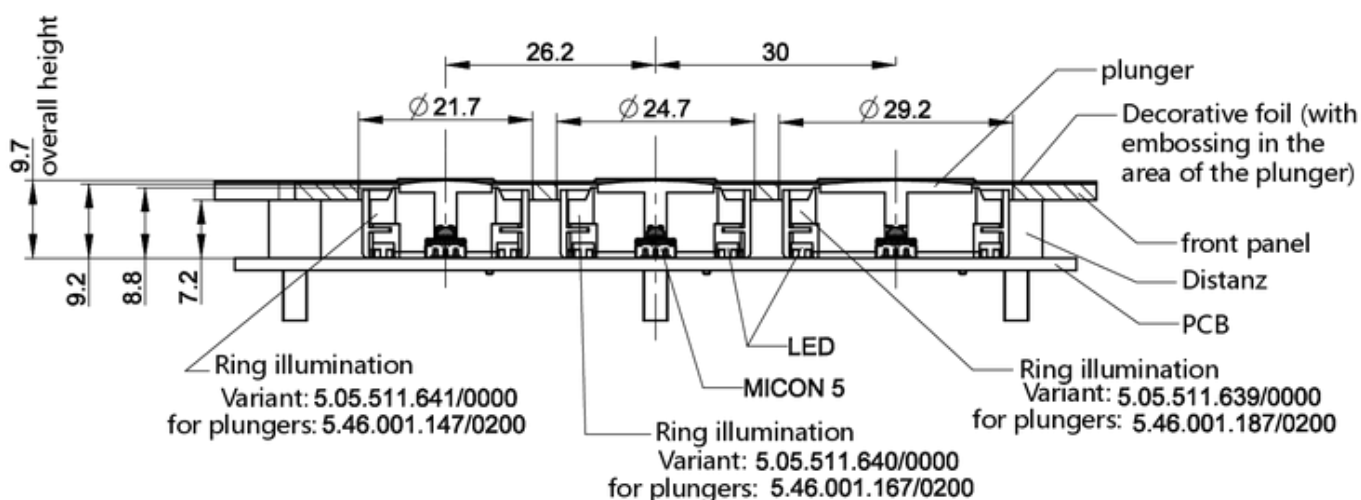
Outside dimension, length	10.8 mm
Outside dimension, width	28.2 mm
Outside dimension, height	28.2 mm

**drawings**

**Dimensioned drawing**



**System drawing**



PCB drawing

