

## RAFIX FS technology, short-stroke adapter, 1mm

---



### fields of application

- > Measurement-control-regulation
- > Electrical engineering
- > Mechanical and system engineering
- > Signalling systems
- > Vehicle construction
- > Agricultural and forestry machinery
- > Construction machinery
- > Handheld terminals
- > Industrial robots



### description

---

The short-travel adapter can be combined with all MICON 5 standard models. The operating life specification applies in combination with MICON 5 variant 1.14.002.101/0000 and 1.14.005.101/0000.

### technical data

---

#### > general

illuminated	Yes
Packaging unit	10 pcs.
net weight	1.6 g
Operating life	1,000,000 cycles
B10	1,300,000 cycles
MOQ order	10 pcs.
RoHS compliant	Yes
REACH compliant	Yes

#### direct links

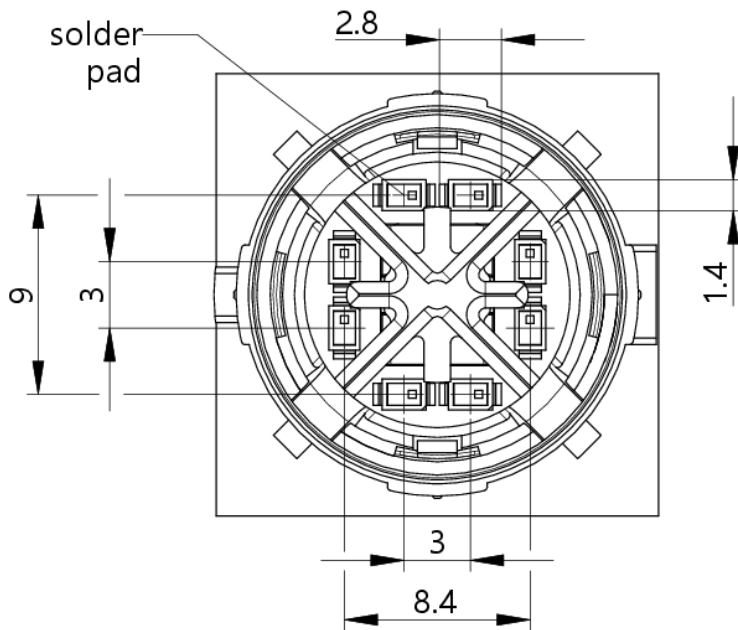
- > [RAFI eCatalog](#)

#### > mounting diameters

Outside dimension, length	20 mm
Outside dimension, width	20 mm
Outside dimension, height	13.9 mm

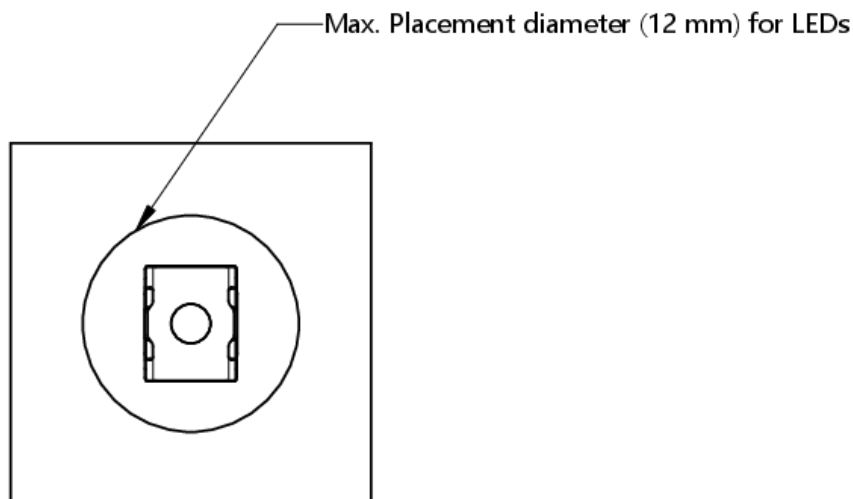
**drawings**

**PCB drawing**



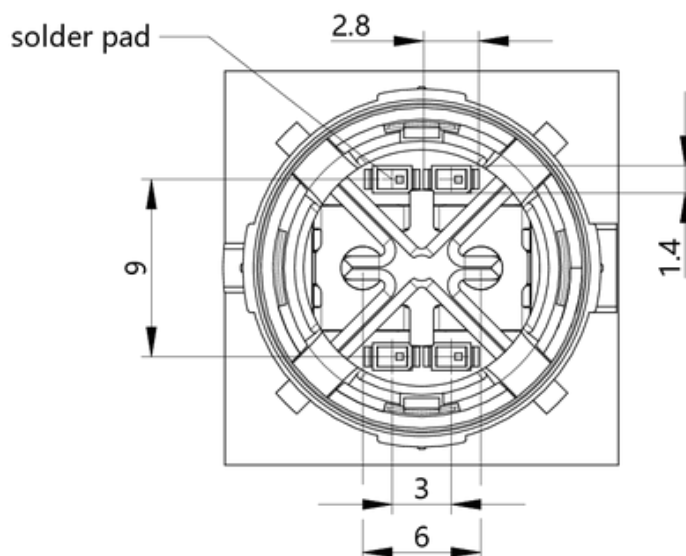
The maximum height of the LED must not exceed 2.4mm

**PCB drawing**



The maximum height of the LED must not exceed 2.4mm

PCB drawing



The maximum height of the LED must not exceed 2.4mm

The MICON 5 with part number: 1.14.002.201/0000 or 1.14.005.201/0000 must always be used for a redundant setup