

MICON 5, square plunger 11 mm, mechanical stop limit, white, GH 9.55 mm



fields of application

- > Measurement-control-regulation
- > Mechanical and system engineering
- > Automotive
- > Signalling systems
- > Vehicle construction
- > Handheld terminals

description

The wide selection of standard plungers in different shapes and colors guarantees a versatile range of applications for the MICON 5 tactile switch.

technical data

> general

Bezel color	white
illuminated	Yes
Packaging unit	100 pcs.
MOQ order	100 pcs.
RoHS compliant	Yes
REACH compliant	Yes

direct links

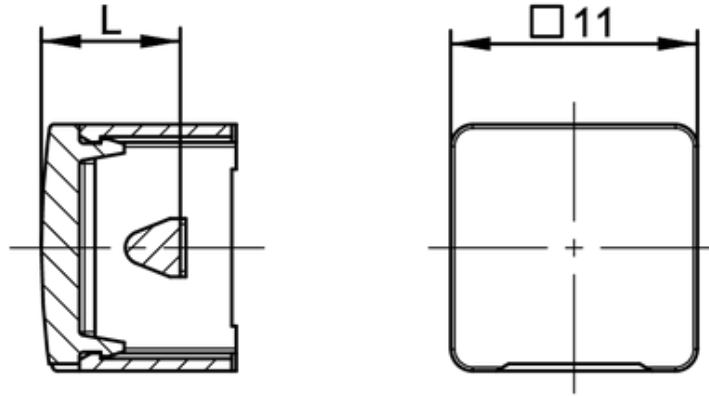
- > [RAFI eCatalog](#)

> mounting diameters

Outside dimension, length	8.7 mm
Outside dimension, width	11 mm
Outside dimension, height	11 mm
Plunger length L	6.2 mm
Support height A	3.35 mm
Total height GH	9.55 mm

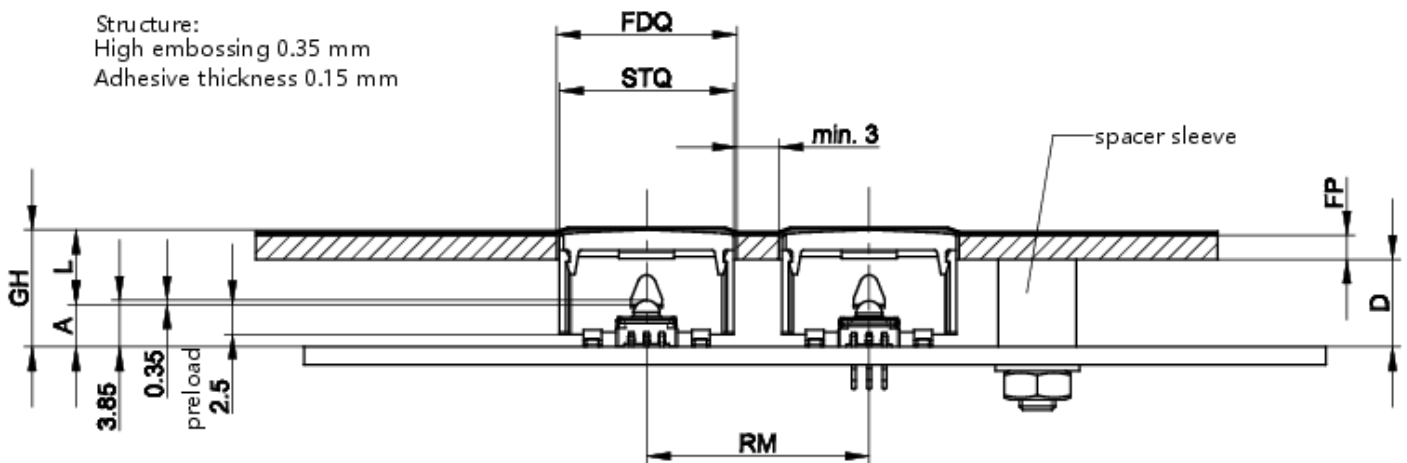
drawings

Dimensioned drawing



System drawing

Structure:
High embossing 0.35 mm
Adhesive thickness 0.15 mm



$GH=A+L$

PCB drawing

View without front panel, foil and screen

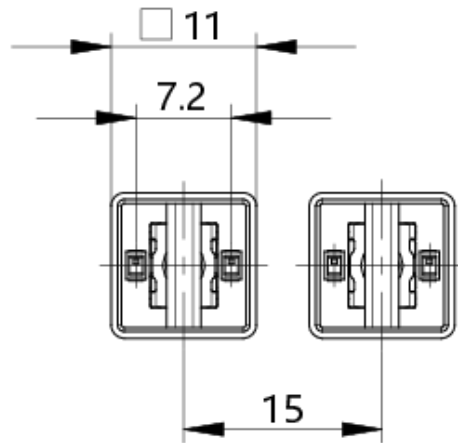


Illustration with 2 LED OSRAM LO M676-Q1R1-24