

# RAFIX 16, label holder, for round collar, with adhesive tape on the back, flat

---



## fields of application

- > Measurement-control-regulation
- > Electrical engineering
- > Mechanical and system engineering
- > Industrial robots

## description

## technical data

---

### > general

Feature	for round collar with adhesive tape on the back flat
Packaging unit	10 pcs.
net weight	1.3 g
MOQ order	10 pcs.
RoHS compliant	Yes
REACH compliant	Yes

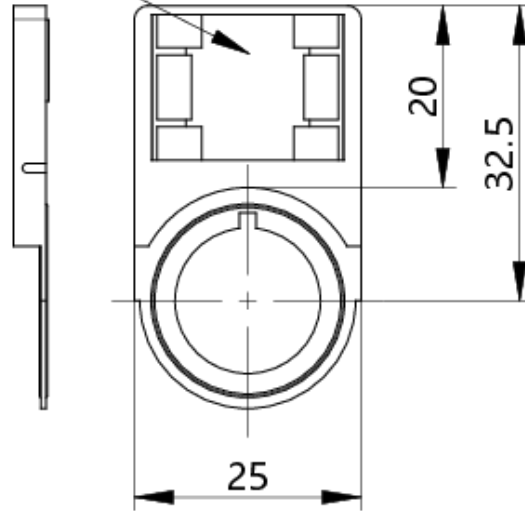
### direct links

- > [RAFI eCatalog](#)

**drawings**

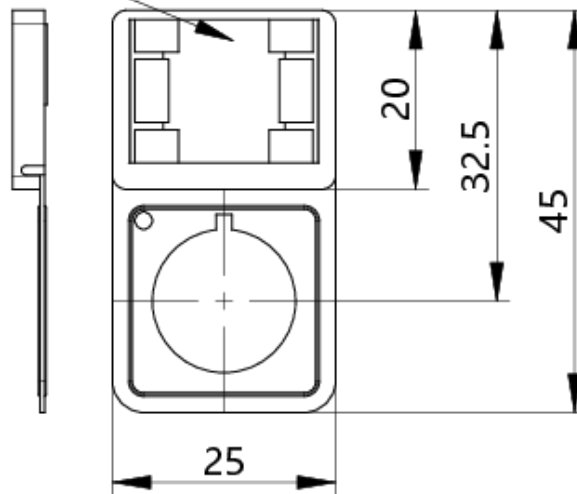
**Dimensioned drawing**

Recess for inscription label 23 x 16

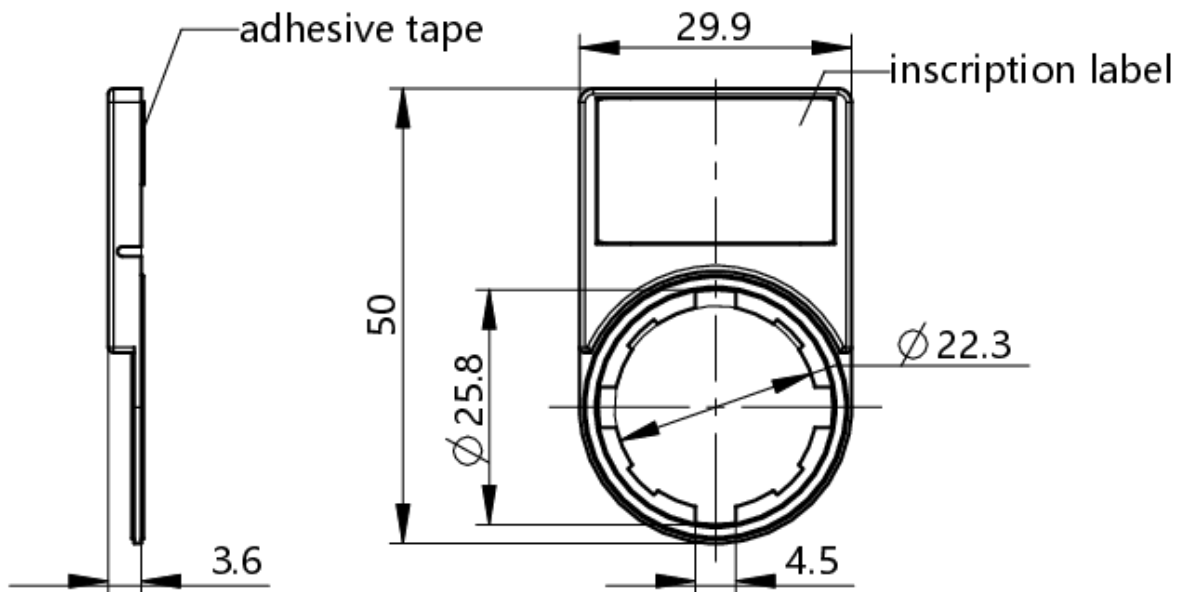


**Dimensioned drawing**

Recess for inscription label 23 x 16



Dimensioned drawing



Dimensioned drawing

