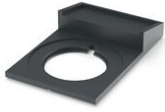


RAFIX 16, label holder, for square alignable collar, tall



fields of application

- › Measurement-control-regulation
- › Electrical engineering
- › Mechanical and system engineering
- › Industrial robots

description

technical data

› general

Feature	for square alignable collar tall
Packaging unit	10 pcs.
net weight	1.6 g
MOQ order	10 pcs.
RoHS compliant	Yes
REACH compliant	Yes

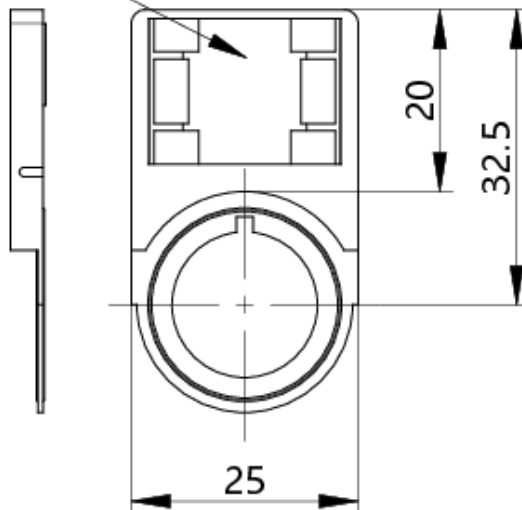
direct links

- › [RAFI eCatalog](#)

drawings

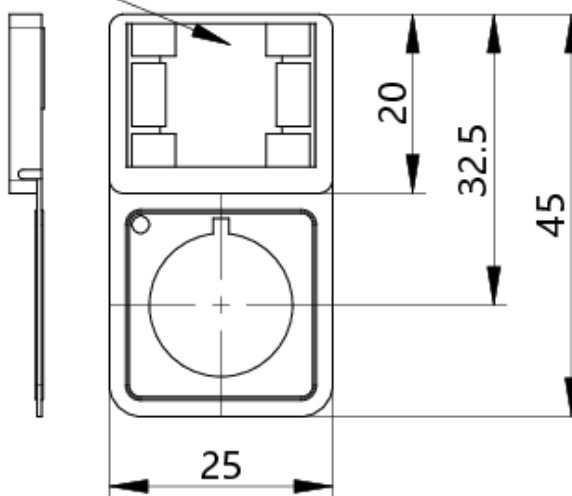
Dimensioned drawing

Recess for inscription label 23 x 16

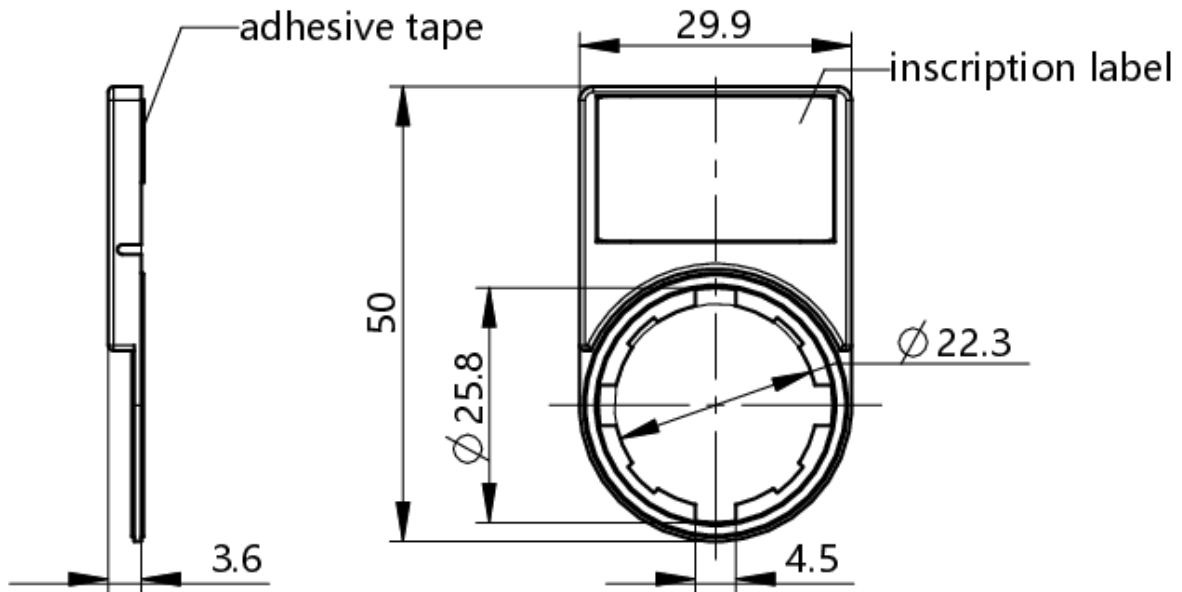


Dimensioned drawing

Recess for inscription label 23 x 16



Dimensioned drawing



Dimensioned drawing

