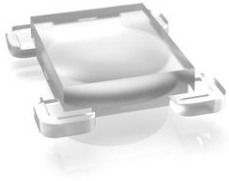


## Key cap body, transparent, 20.7 mm x 17.2 mm

---



### fields of application

- › Mechanical and system engineering
- › Automotive
- › Vehicle construction
- › Handheld terminals

### description

### technical data

---

#### › general

Color	transparent
illuminated	Yes
Packaging unit	10 pcs.
net weight	1 g
MOQ order	500 pcs.
RoHS compliant	Yes
REACH compliant	Yes
Component material	Plastic

#### › mounting diameters

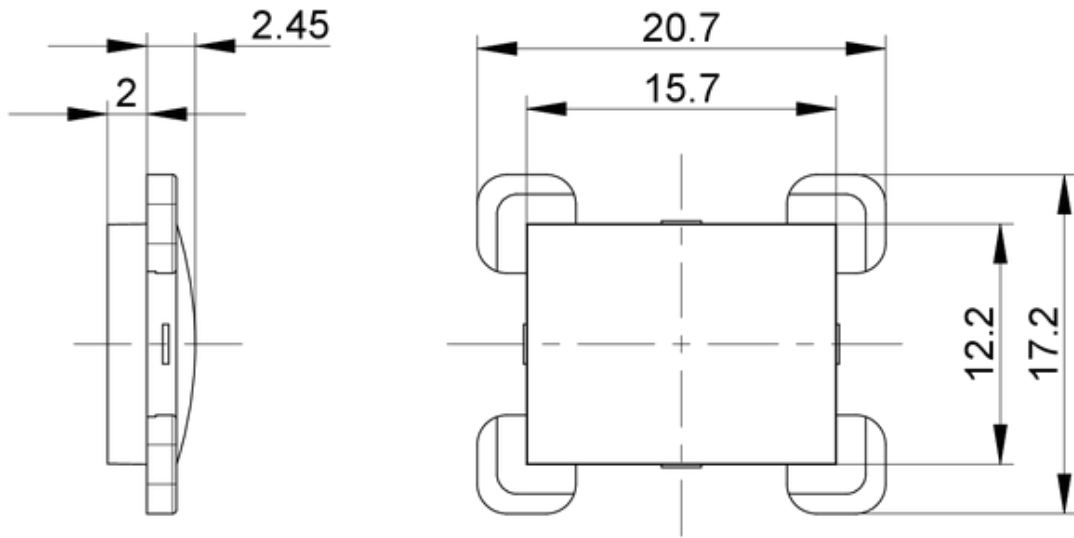
Outside dimension, length	20.7 mm
Outside dimension, width	17.2 mm
Outside dimension, height	4.45 mm

### direct links

- › [RAFI eCatalog](#)

**drawings**

**Dimensioned drawing**



**System drawing**

