

# RAMO 22 F, RJ45, round collar, frontring metallic silver, RJ 45 CAT 5



## fields of application

- > Measurement-control-regulation
- > Electrical engineering
- > Mechanical and system engineering
- > Vehicle construction
- > Chemical industry
- > Industrial robots
- > Home technology



## description

Cable feed-through for front panels. Front side USB 3.0 or RJ45, rear side with corresponding sockets in the housing or 55 cm cable and socket.

## technical data

### > general

|   |  |
|---|--|
| Collar color  | black  |
| Front ring color  | metallic silver                                    |
| Collar shape  | round  |
| Operating temperature, min.                                 | -25 °C   |
| Operating temperature, max.                                 | 70 °C  |
| Storage temperature, min.                                   | -40 °C   |
| Storage temperature, max.                                   | 90 °C  |
| illuminated   | No   |
| Packaging   | Box  |
| Packaging unit  | 2 pcs.   |
| net weight  | 20.5 g   |
| Operating life  | 750 cycles   |
| Degree of protection, front side, according to DIN EN 60529 | IP65 with sealing cap                              |
| UL Enclosure Type Rating front side                         | type 4X indoor                                     |
| Environment resistance                                      | IEC 60068-2-14<br>IEC 60068-2-30<br>IEC 60068-2-78 |
| shock resistance  | 05 side<br>07 frontal                              |
| MOQ order   | 2 pcs.   |
| RoHS compliant  | Yes  |
| REACH compliant   | Yes  |

### direct links

- > [RAFI eCatalog](#)

**> mounting diameters**

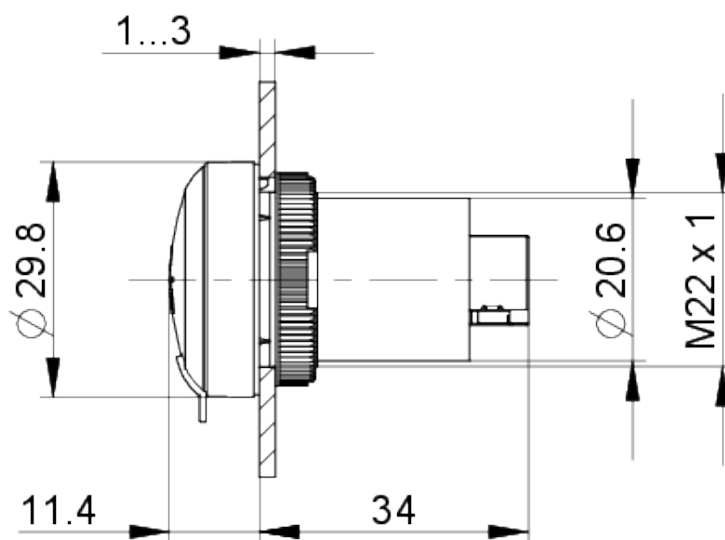
|                           |          |
|---------------------------|----------|
| Outside dimension, length | 29.82 mm |
| Outside dimension, width  | 29.82 mm |
| Outside dimension, height | 45.45 mm |
| Mounting hole             | 22.3 mm  |
| Mounting depth            | 34.08 mm |
| Installation height       | 11.37 mm |
| Grid, min.                | 30 mm    |
| Collar dimension          | 29.82 mm |

**> mechanical data**

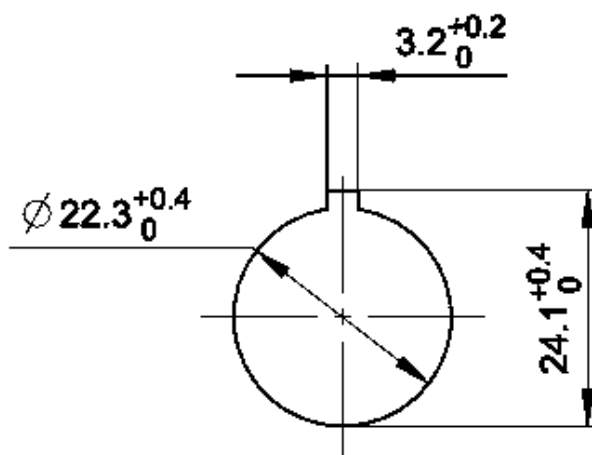
|                            |               |
|----------------------------|---------------|
| Fixing                     | Threaded ring |
| Threaded ring torque, max. | 1.2 Nm        |
| Front side terminal        | RJ 45 CAT 5   |
| Terminal on the rear       | RJ 45 CAT 5   |

**drawings**

**Dimensioned drawing**



**Mounting hole drawing**



acc. to IEC 60947-5-1