

RAMO 22 F, RJ45, round collar, frontring metallic silver, RJ 45 CAT 5



fields of application

- > Measurement-control-regulation
- > Electrical engineering
- > Mechanical and system engineering
- > Vehicle construction
- > Chemical industry
- > Industrial robots
- > Home technology



description

Cable feed-through for front panels. Front side USB 3.0 or RJ45, rear side with corresponding sockets in the housing or 55 cm cable and socket.

technical data

> general

Collar color	slate gray
Front ring color	metallic silver
Collar shape	round
Operating temperature, min.	-25 °C
Operating temperature, max.	70 °C
Storage temperature, min.	-40 °C
Storage temperature, max.	90 °C
illuminated	No
Packaging	Box
Packaging unit	2 pcs.
net weight	20.5 g
Operating life	750 cycles
Degree of protection, front side, according to DIN EN 60529	IP65 with sealing cap
UL Enclosure Type Rating front side	type 4X indoor
Environment resistance	IEC 60068-2-14 IEC 60068-2-30 IEC 60068-2-78
shock resistance	05 side 07 frontal
MOQ order	2 pcs.
RoHS compliant	Yes
REACH compliant	Yes

direct links

- > [RAFI eCatalog](#)

> mounting diameters

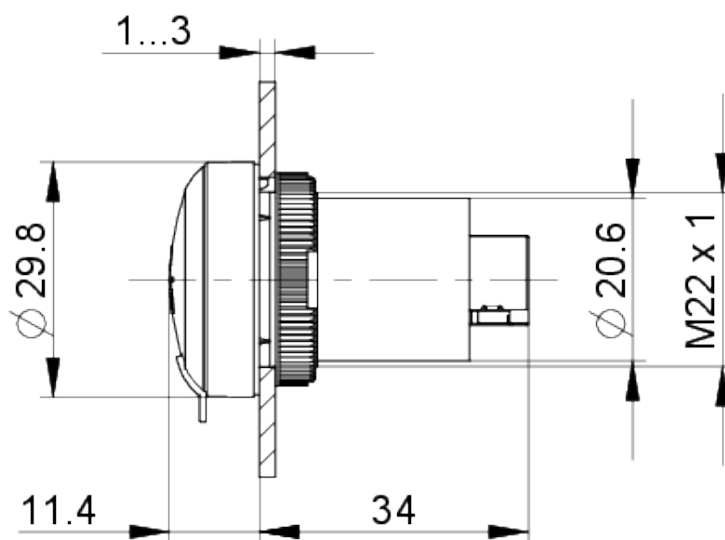
Outside dimension, length	29.82 mm
Outside dimension, width	29.82 mm
Outside dimension, height	45.45 mm
Mounting hole	22.3 mm
Mounting depth	34.08 mm
Installation height	11.37 mm
Grid, min.	30 mm
Collar dimension	29.82 mm

> mechanical data

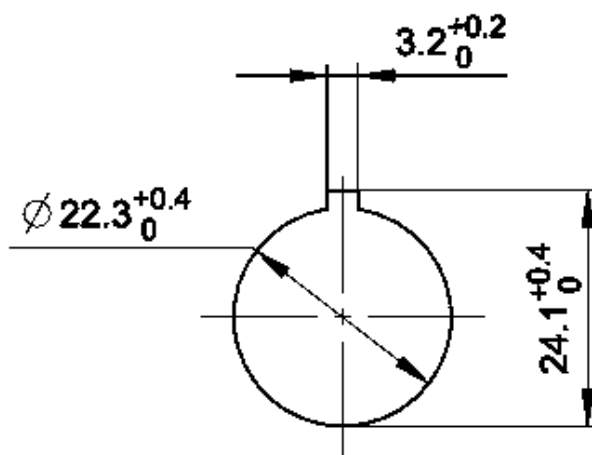
Fixing	Threaded ring
Threaded ring torque, max.	1.2 Nm
Front side terminal	RJ 45 CAT 5
Terminal on the rear	RJ 45 CAT 5

drawings

Dimensioned drawing



Mounting hole drawing



acc. to IEC 60947-5-1