

RAMO 30 T M12, round collar, momentary contact function, frontring stainless steel, 1 NO, bezel blue



fields of application

- › Measurement-control-regulation
- › Electrical engineering
- › Mechanical and system engineering
- › Vehicle construction
- › Chemical industry
- › Industrial robots

special features

- › Key stroke with tactile feedback or mushroom pushbutton with latching actuator
- › Based on the RAFI MICON 5 short-travel keyswitch with gold contacts, which has proven itself millions of times over
- › Single-part, closed housing
- › Unique series with easiest Plug&Play connection
- › Completely tailored design – fits the RAFIX range of control components
- › Flat overall height
- › Stainless steel front ring
- › Installation size: 30.3 mm
- › Plug & Play connection M12
- › Custom print options, including FLEXLAB bezels
- › Can be illuminated in many colors
- › Redundant version with 2 NO contacts
- › Pushbutton with black mushroom head



description

Because it features the RAFI MICON 5 tactile switch, RAMO 30 T offers tactile feedback with a noticeable click. Due to the IP 66/ IP69K degree of protection, it is recommended in particular for plant engineering and construction. RAMO 30 T requires a mounting hole diameter of 30.3 mm and offers an extremely flat design of the front panel.

As a further product variant, the RAMO 30 T mushroom pushbutton offers a latching pushbutton option for every application. It is characterised by form and function as for an emergency stop, but is only declared as a pushbutton. Various contact functions are possible.

Additional information according to UL certificate:

For Class 2 Power Source or Limited Voltage / Limited Current only

Installation only by trained specialist personnel.

Type 4x Indoor only with cable "Cat. No. 7000-08061-0210100 PUR 4x0.25mm² with M8 connector, rated max. 30VAC/DC 4A, manufactured by Murrelektronik GmbH" and "Cat. No. 7000-12221-0340100 PUR 4x0.34mm² with M12 connector, rated max. 30VAC/DC 4A, manufactured by Murrelektronik GmbH"

For Use on a Flat Surface of a Type 1 or 4x indoor only Enclosure.

technical data

> general

| | |
|--|--|
| Potential free | yes |
| Color | black |
| Bezel color | blue |
| Property of bezel / mushroom | translucent |
| Collar color | black |
| Front ring color | stainless steel |
| Luminous element color | blue |
| Collar shape | round |
| Operating temperature, min. | -40 °C |
| Operating temperature, max. | 85 °C |
| Storage temperature, min. | -40 °C |
| Storage temperature, max. | 85 °C |
| illuminated | Yes |
| Luminous elements | LED |
| Packaging | Box |
| Packaging unit | 10 pcs. |
| net weight | 24.6 g |
| Operating life | 500,000 cycles |
| B10 | 650,000 cycles |
| Degree of protection, front side, according to DIN EN 60529 | IP66 IP67 IP69 |
| Degree of protection, rear side, according to DIN EN 60529 | IP66 IP67 |
| UL Enclosure Type Rating front side | type 4X indoor |
| Environment resistance | IEC 60068-2-14 IEC 60068-2-30 IEC 60068-2-78 |
| Salt-spray resistance according to standard | IEC 60068-2-11 |
| Impact resistance IK | 05 |
| MOQ order | 10 pcs. |
| Pollution degree acc. to DIN EN 61010-1 | Pollution degree 2 |
| RoHS compliant | Yes |
| REACH compliant | Yes |

> mounting diameters

| | |
|---------------------------|---------|
| Outside dimension, length | 34.5 mm |
| Outside dimension, width | 34.5 mm |
| Outside dimension, height | 40 mm |
| Mounting hole | 30.3 mm |
| Mounting depth | 36.4 mm |
| Installation height | 3.6 mm |

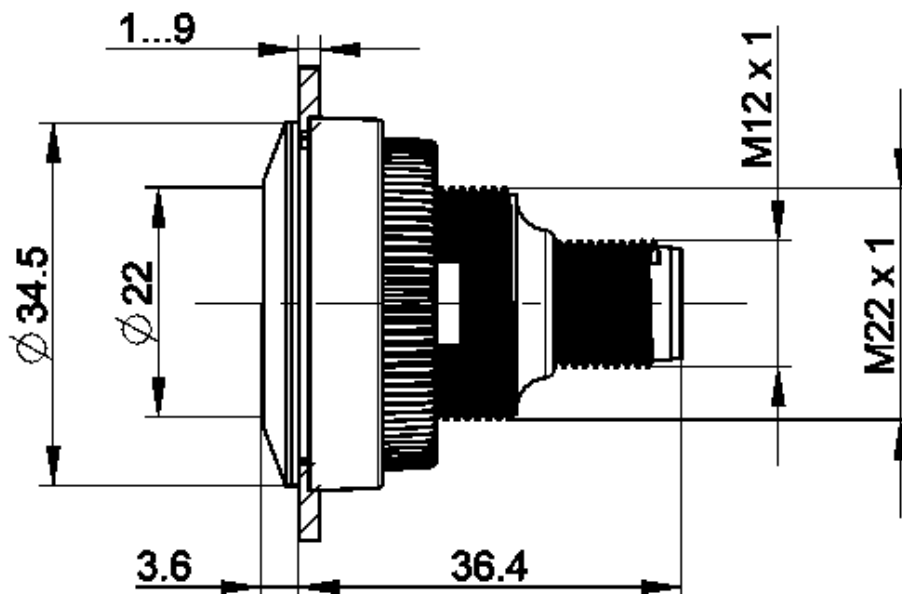
direct links

> [RAFI eCatalog](#)

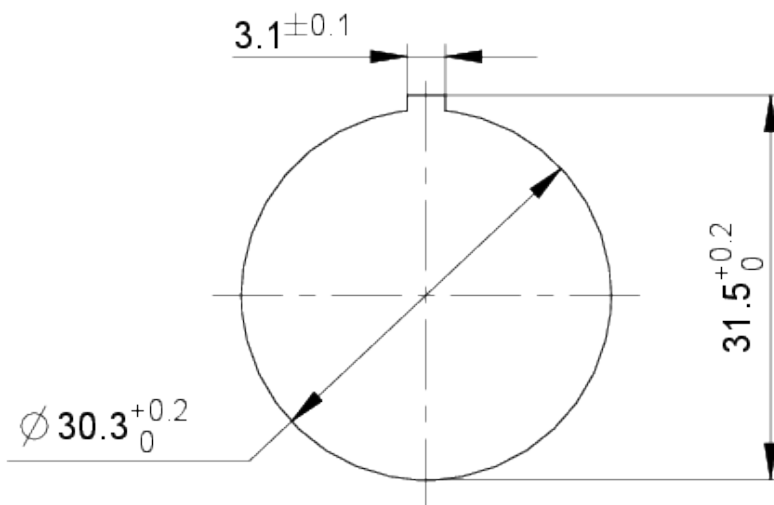
| | |
|---|--------------------------------------|
| Grid, min. | 35 mm |
| > mechanical data | |
| Actuation function | momentary contact function |
| Operating force, max. | 12 N |
| Operating force, min. | 5 N |
| Operating travel, max. | 1 mm |
| Resistance to force on the side | 300 N |
| Contact function | 1 NO |
| Contact material | Gold |
| Fixing | Threaded ring |
| Threaded ring torque, max. | 1.2 Nm |
| Terminal on the rear | M12 4-pin A-coded |
| PIN 1 | Normally open contact 1 |
| PIN 2 | LED + |
| PIN 3 | GND |
| PIN 4 | Normally open contact 1 |
| > electrical data | |
| Rated insulation voltage | 250 V |
| Rated surge voltage | 800 V |
| Rated operating voltage | 35 V (AC-15) 35 V (DC-13) |
| Operating voltage of the luminous element, min. | 20 V |
| Operating voltage of the luminous element, max. | 28 V |
| Rated voltage, min. | 0.02 V |
| Rated voltage, max. | 35 V |
| Rated voltage, max. acc. to UL 60947 | 30 V DC (42,4 V peak) |
| Voltage type | DC |
| Rated operating current | 0.1 A |
| Rated operating voltage | 0.02-35 V |
| Rated current, min. | 0.00001 A |
| Rated current, max. | 0.1 A |
| Rated power, max. | 1 W |
| Power loss | 0.70030 W |
| Overvoltage category | 2 |
| Kind of short circuit protective device | fuse 250 V / 0,1 A / 1,5 kA gG quick |
| Conditional short circuit current | 1,000 A |

drawings

Dimensioned drawing



Mounting hole drawing



Schematic diagram

